

Floodlight

Series 6121



www.stahl.de



04222E00

- > Lamp options
 - halogen lamps (QT) up to 1000 W
 - halogen metal halide lamps (HIT) up to 400 W
 - sodium vapour high pressure lamps (HST) up to 600 W
- > Material
 - Housing in cast aluminium
 - Mounting components in hot galvanized steel
- > The floodlight can be adjusted in 15° or 30° increments

E2



Explosion protected flood lights Series 6121 are designed for large area lighting in industrial outdoor and indoor installations.

Zone	ATEX / GOST					
	0	1	2	20	21	22
For use in		x	x		x	x

WebCode 6121A

Floodlight

Series 6121

Selection Table

Version	Lamps ¹⁾	Lamp holder	Lamp wattage	Temperature class at Ta =		T _{O max} at Ta = 40 °C	Order number	Weight kg
				40 °C	55 °C			
IIC floodlight, size 2, Series 6121/52..	QT	E27	250 W	T3	T3	170 °C	6121/5211-125-01	25,000
	HIT	E40	150 W	T4	T3	120 °C	6121/5212-215-01	27,500
			250 W	T3	--	160 °C	6121/5212-225-01	28,800
	HST	E27	70 W	T4	T4	100 °C	6121/5211-307-01	24,200
	HST	E40	100 W	T4	T4	110 °C	6121/5212-310-01	27,300
			150 W	T4	T3	130 °C	6121/5212-315-01	27,300
		250 W	T3	--	160 °C	6121/5212-325-01	28,800	
IIC floodlight, size 3, Series 6121/53..	QT	E40	500 W	T3	T2	200 °C	6121/5312-150-01	33,300
			1000 W	T2	--	300 °C	6121/5312-111-01	33,300
	HIT / HST	E40	250 W	T4	T3	140 °C	6121/5312-625-01	37,000
			400 W	T3	T3	200 °C	6121/5312-640-01	38,200
	HST	E40	600 W	T3	--	200 °C	6121/5312-360-01	40,600

Order Number Supplement

Compensation	without compensation	6121 / - 0 . .	
	with compensation	6121 / - 1 . .	0.300

Note The light fittings are supplied without lamps. Please order them as accessories.

- ¹⁾ QT → Halogen lamps
 HIT → Metal halide lamps
 HST → High-pressure sodium lamps
 HIT / HST → Metal halide lamps / High-pressure sodium lamps

Selection Table

Version	Lamps ¹⁾	Lamp holder	Lamp wattage	Temperature class at Ta =		T _{o max} at Ta = 40 °C	Order number	Weight
				40 °C	55 °C			
				IIB floodlight, size 2, Series 6121/62..	QT			
		E40	500 W	T3	--	190 °C	6121/6212-150-0120-100	25.000
		R7s	300 W	T3	--	190 °C	6121/6213-130-0120-100	25.000
			500 W	T2	--	190 °C	6121/6213-150-0120-100	25.000
	HIT / HST	E27	70 W	T3	--	190 °C	6121/6211-607-1121-230	26.000
		E40	150 W	T3	--	190 °C	6121/6212-615-1121-230	27.000
			250 W	T3	--	190 °C	6121/6212-625-1121-230	28.500
	HIT	E40	400 W	T3	--	190 °C	6121/6212-240-0121-230	30.000
	HST	E40	400 W	T3	--	190 °C	6121/6212-340-1121-230	30.000

Order Number Supplement

Compensation	without compensation	6121 / - 0 . .	
	with compensation	6121 / - 1 . .	0.300
Reflector	wide beam	6121 / . . 1	
	narrow beam	6121 / . . 2	

Note

The light fittings are supplied without lamps. Please order them as accessories.

- ¹⁾ QT → Halogen lamps
 HIT → Metal halide lamps
 HST → High-pressure sodium lamps
 HIT / HST → Metal halide lamps / High-pressure sodium lamps

Explosion Protection

Europe (ATEX)			
Version	6121/52 size 2 IIC	6121/53 size 3 IIC	6121/62 size 2 IIB
Gas and dust	PTB 10 ATEX 1050 X Ⓢ II 2 G Ex db ed IIC T4, T3, T2 * Ⓢ II 2 D EX tb IIIC T100 ... 240°C IP66/67 * * temperature classes and surface temperatures see selection table	PTB 10 ATEX 1051 X Ⓢ II 2 G Ex db ed IIC T4, T3, T2 * Ⓢ II 2 D EX tb IIIC T140 ... 300°C IP66/67 * * temperature classes and surface temperatures see selection table	PTB 05 ATEX 1105 Ⓢ II 2 G Ex de IIB T2, T3* Ⓢ II 2 D Ex td A21 IP67 T190°C, T290°C* * temperature classes and surface temperatures see selection table
Certificates and approvals			
Version	6121/52 size 2 IIC	6121/53 size 3 IIC	6121/62 size 2 IIB
Certificates	ATEX, Kazakhstan (GOST-K), Belarus (GOST-B)	ATEX, Kazakhstan (GOST-K), Belarus (GOST-B)	ATEX, Kazakhstan (GOST-K), Russia (GOST-R), Belarus (GOST-B)
Other certificates			Ship approval (GL)




Floodlight

Series 6121

Technical Data

Electrical data			
Version	6121/52 size 2 IIC	6121/53 size 3 IIC	6121/62 size 2 IIB
Rated operational voltage U_e	Standard: 230 (+/- 6 %) V AC, 50 Hz Special: 220 V AC or 240 V AC, 50 Hz or 60 Hz	Standard: 230 (+/- 6 %) V AC, 50 Hz Special: 220 V AC or 240 V AC, 50 Hz or 60 Hz	max. 230 V (240 V on request)
Power factor $\cos \varphi$	$\cos \varphi \geq 0.9$ (compensated)	$\cos \varphi \geq 0.9$ (compensated)	$\cos \varphi \geq 0.9$ (compensated)
Compensation	Compensation unit in aluminium alloy, mounted at the backside of the floodlight	Compensation unit in aluminium alloy, mounted at the backside of the floodlight	Standard with compensation
Luminous Characteristics			
Version	6121/52 size 2 IIC	6121/53 size 3 IIC	6121/62 size 2 IIB
Light aperture	broad bowl	broad bowl	narrow bowl
Ambient conditions			
Version	6121/52 size 2 IIC	6121/53 size 3 IIC	6121/62 size 2 IIB
Operating temperature range	- 20 ... + 40 °C / 55°C	- 20 ... + 40 °C / 55°C	- 25 ... + 45 °C
Mechanical data			
Version	6121/52 size 2 IIC	6121/53 size 3 IIC	6121/62 size 2 IIB
Degree of protection	IP66 / IP67	IP66 / IP67	IP67
Material			
Enclosure material	seawater resistant cast aluminium		
Lens	Safety glass		
Reflector	Aluminium, high polished		
Assembly / Installation			
Version	6121/52 size 2 IIC	6121/53 size 3 IIC	6121/62 size 2 IIB
Operating position	Horizontal mounting	Horizontal mounting	all directions other than upwards possible
Cable entry	1 cable gland M25 x 1.5, 1 stopping plug M25 x 1.5	1 cable gland M25 x 1.5, 1 stopping plug M25 x 1.5	1 cable gland M25 x 1.5, 1 stopping plug M25 x 1.5
Connection	L1 + N + PE, max. 6 mm ²	L1 + N + PE, max. 6 mm ²	L + N + PE, max 2 x 6 mm ²
Mounting	Steel bracket, defined inclination possible		
Exchange of lamps	Sideways aperture for lamp exchange, closed via threaded lid		

Accessories and Spare Parts

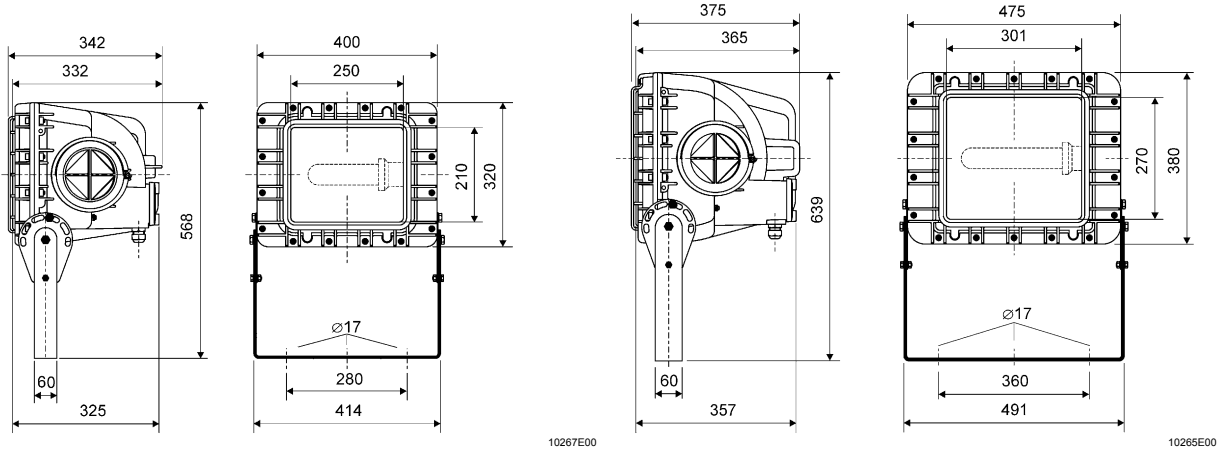
Designation	Illustration	Description				Art. no.	Weight kg
Halogen lamps QT	 05355E00	Power	Lamp holder	Voltage	Lighting current		
		205 W	E27	230 V	4200 lm	203469	0.100
		500 W	E40	230 V	10250 lm	108874	0.132
		1000 W	E40	230 V	24000 lm	108872	0.152
		300 W	R7s	230 V	5000 lm	109505	0.014
		500 W	R7s	230 V	9500 lm	109506	0.014
Halogen metal halide lamps HIT	 05355E00	70 W	E27	230 V	7000 lm	109128	0.090
		150 W	E40	230 V	14500 lm	109130	0.175
		250 W	E40	230 V	20000 lm	109132	0.200
		400 W	E40	230 V	42000 lm	109134	0.235
High pressure sodium lamps HST	 05355E00	70 W	E27	230 V	6600 lm	109127	0.070
		150 W	E40	230 V	17500 lm	109129	0.170
		250 W	E40	230 V	33200 lm	109131	0.213
		400 W	E40	230 V	56500 lm	109133	0.210

Floodlight Series 6121



Dimensional Drawings (All Dimensions in mm) - Subject to Alterations

E2

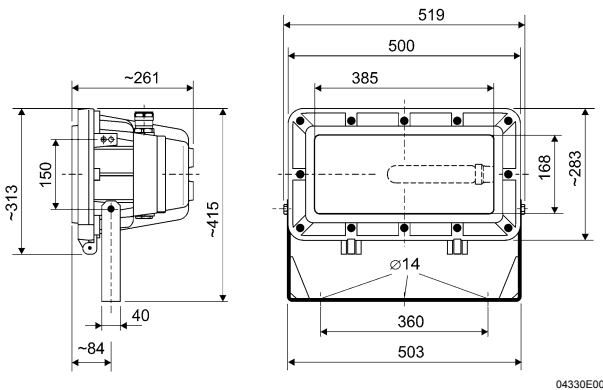


10267E00

10265E00

IIC floodlight, size 2, 6121/52..

IIC floodlight, size 3, 6121/53..



04330E00

IIB floodlight, size 2, 6121/62..

We reserve the right to make alterations to the technical data, dimensions, weights, designs and products available without notice. The illustrations cannot be considered binding.

Representante oficial de:



[Argentina – Uruguay – Paraguay – Bolivia – Ecuador.]



Calle 49 N° 5764 - Villa Ballester (B1653AOX) - Prov. de Buenos Aires - ARGENTINA
Tel: (+54 11) 4768-4242 / Fax: (+54 11) 4849-1212
Mail: ventas@nakase.com.ar / Web: www.nakase.com.ar

