

MIRO 6,2 110V-1U-FK output relay IN: 110 VACDC - OUT: 250 VAC/DC / 6 A

1 C/O contact
110 V AC/DC
Spring clamp terminals

Image



Vicarious picture

Approvals



Switching capacity according to (EN 60947)

24 V	AC12;6 A	AC15; 3 A	DC13; 1 A
110 V	AC12;6 A	AC15; 3 A	DC13; 0,2 A
230 V	AC12;6 A	AC15; 3 A	DC13; 0,1 A

Input

Input voltage	95...121 V AC/DC
Input current	approx. 4 mA
LED display	LED (green)

Output

Switching voltage	max. 250 V AC/DC
Switching current	max. 6 A (see table)
Min. load current	10 mA/12 V DC
Breaking capacity (voltage dependent)	max. 1500 VA/120 W
Switching frequency	max. 10 Hz
Contact material	Ag Sn O ₂
Energize/release/contact bounce time	10/15/1,5 ms

All data on this data sheet was compiled carefully.

Liability regarding correctness, completeness, and actuality is limited to gross negligence. Created: 05/12

General data

Mech./ elect. life	2 × 10 ⁷ /load dependent (for inductive loads we recommend interference suppression components connected parallel to the coil)
Test isolation voltage	4 kV; safe separation (EN 60947-1)
Temperature range	-20...+55 °C
Mounting method	DIN-rail mountable (EN 60715)
Dimensions H × W × D	90 x 6.2 x 65 mm

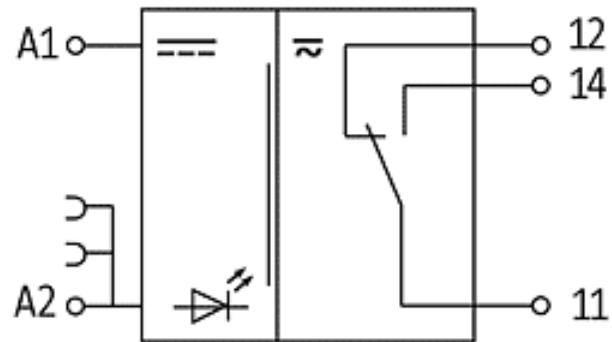
Commercial data

Gross weight	35
Net weight	35
Weight unit	gram
Basic unit	pc.
Customs tariff number	85364900
Unit (piece)	1
Limited value	1

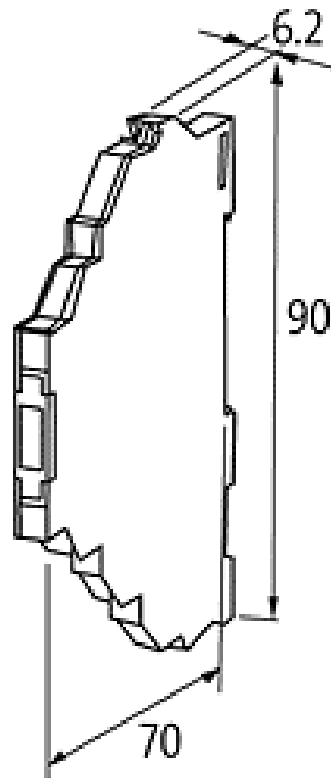
Accessories

	Art.-No.
Wiring accessorie plug link	90961
Wiring accessorie red spacing 6,2 mm	90976
Wiring accessorie blue spacing 6,2 mm	90975
Wiring accessorie end cap red	90982
Wiring accessorie end cap blue	90980
Wiring accessorie 16 pole cross-section: 1 mm ²	90977
Control systems Label plate Miro	90901

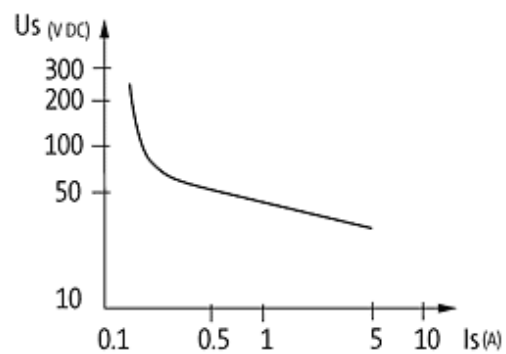
Circuit diagram



Dimension drawing



Load limit curve



De-rating curve



Representante oficial de:



[Argentina – Uruguay – Paraguay – Bolivia – Colombia – y Perú.]



Calle 49 N° 5764 - Villa Ballester (B1653AOX) - Prov. de Buenos Aires - ARGENTINA
Tel: (+54 11) 4768-4242 / Fax: (+54 11) 4849-1212
Mail: ventas@nakase.com.ar / Web: www.nakase.com.ar

