

MIRO 6,2 24VDC-1U output relay IN: 24 VAC/DC - OUT: 250 VAC/DC / 6 A

1 C/O contact  
24 V AC/DC  
Screw terminals

### Image



Vicarious picture

### Approvals



#### Switching capacity according to (EN 60947)

|       |          |           |             |
|-------|----------|-----------|-------------|
| 24 V  | AC12;6 A | AC15; 3 A | DC13; 1 A   |
| 110 V | AC12;6 A | AC15; 3 A | DC13; 0,2 A |
| 230 V | AC12;6 A | AC15; 3 A | DC13; 0,1 A |

#### Input

|               |                   |
|---------------|-------------------|
| Input voltage | 19.2...30 V AC/DC |
| Input current | approx. 17 mA     |
| LED display   | LED (green)       |

#### Output

|                                       |                      |
|---------------------------------------|----------------------|
| Switching voltage                     | max. 250 V AC/DC     |
| Switching current                     | max. 6 A (see table) |
| Min. load current                     | 10 mA/12 V DC        |
| Breaking capacity (voltage dependent) | max. 1500 VA/120 W   |
| Switching frequency                   | max. 10 Hz           |
| Contact material                      | Ag Sn O <sub>2</sub> |
| Energize/release/contact bounce time  | 10/15/1,5 ms         |

All data on this data sheet was compiled carefully.

Liability regarding correctness, completeness, and actuality is limited to gross negligence. Created: 05/12

**General data**

|                        |   |
|------------------------|---|
| Mech./ elect. life     | 2 × 10 <sup>7</sup> /load dependent (for inductive loads we recommend interference suppression components connected parallel to the coil) |
| Test isolation voltage | 4 kV; safe separation (EN 60947-1)  |
| Temperature range      | -20...+55 °C  |
| Mounting method        | DIN-rail mountable (EN 60715)   |
| Dimensions H × W × D   | 90 x 6.2 x 65 mm  |

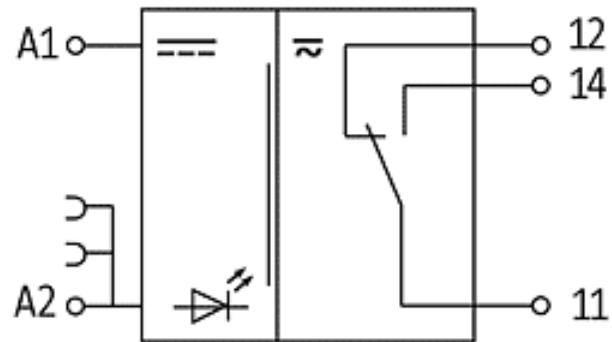
**Commercial data**

|                       |          |
|-----------------------|----------|
| Gross weight          | 34       |
| Net weight            | 34       |
| Weight unit           | gram     |
| Basic unit            | pc.      |
| Customs tariff number | 85364900 |
| Unit (piece)          | 1        |
| Limited value         | 1        |

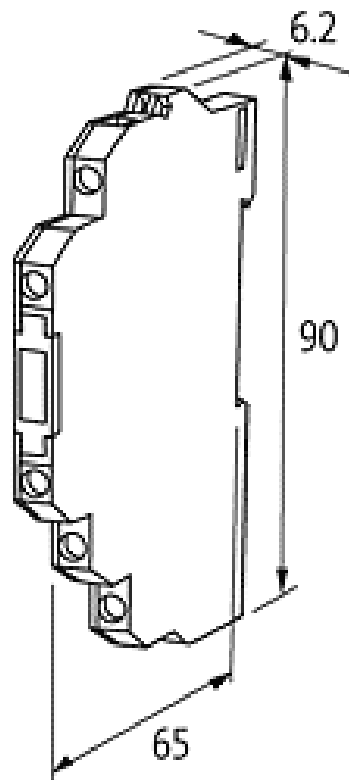
**Accessories**

|  | <b>Art.-No.</b> |
|--|-----------------|
| Wiring accessorie plug link                                | 90961           |
| Wiring accessorie red spacing 6,2 mm                       | 90976           |
| Wiring accessorie blue spacing 6,2 mm                      | 90975           |
| Wiring accessorie end cap red                              | 90982           |
| Wiring accessorie end cap blue                             | 90980           |
| Wiring accessorie 16 pole cross-section: 1 mm <sup>2</sup> | 90977           |
| Control systems Label plate Miro                           | 90901           |

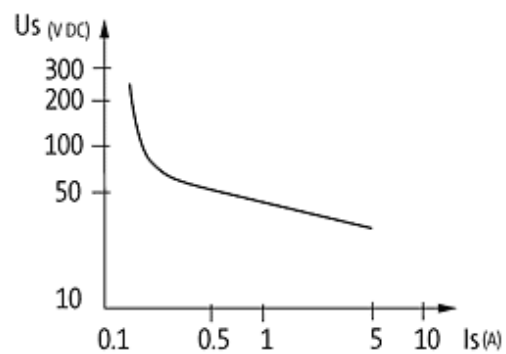
## Circuit diagram



## Dimension drawing



## Load limit curve



## De-rating curve



Representante oficial de:



[Argentina – Uruguay – Paraguay – Bolivia – Colombia – y Perú.]



Calle 49 N° 5764 - Villa Ballester (B1653AOX) - Prov. de Buenos Aires - ARGENTINA  
Tel: (+54 11) 4768-4242 / Fax: (+54 11) 4849-1212  
Mail: [ventas@nakase.com.ar](mailto:ventas@nakase.com.ar) / Web: [www.nakase.com.ar](http://www.nakase.com.ar)

