

MIRO 6,2.24V-1U input relay IN: 24 VAC/DC - OUT: 250 VAC/DC / 6 A

24 V AC/DC
Spring clamp terminals

Image



Vicarious picture

Approvals



Switching capacity according to (EN 60947)

| | | | |
|-------|----------|-----------|-------------|
| 24 V | AC12;6 A | AC15; 3 A | DC13; 1 A |
| 110 V | AC12;6 A | AC15; 3 A | DC13; 0.2 A |
| 230 V | AC12;6 A | AC15; 3 A | DC13; 0.1 A |

Input

| | |
|---------------|-------------------|
| Input voltage | 19.2...30 V AC/DC |
| Input current | approx. 17 mA |
| LED display | LED (yellow) |

Output

| | |
|---------------------------------------|----------------------|
| Switching voltage | max. 30 V AC/36 V DC |
| Switching current | max. 50 mA *) |
| Min. load current | 1 mA/12 V DC |
| Breaking capacity (voltage dependent) | max. 1500 VA/120 W |
| Switching frequency | max. 10 Hz |
| Contact material | Ag Sn O2 hv |
| Energize/release/contact bounce time | 10/15/1.5 ms |

General data

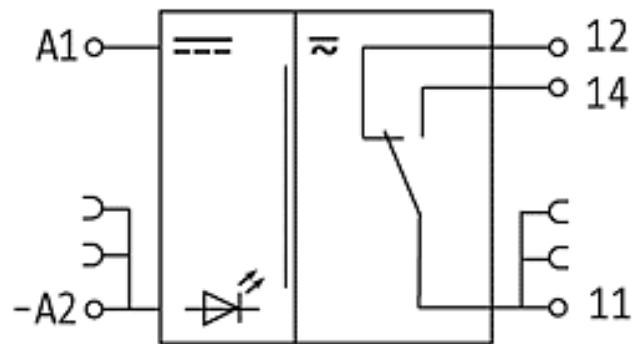
| | |
|------------------------|---|
| Mech./ elect. life | 2 × 10 ⁷ /load dependent (for inductive loads we recommend interference suppression components connected parallel to the coil) |
| Test isolation voltage | 4 kV; safe separation (EN 60947-1) |
| Temperature range | -20...+55 °C |
| Mounting method | DIN-rail mountable (EN 60715) |
| Dimensions H × W × D | 90 x 6.2 x 65 mm |

All data on this data sheet was compiled carefully.

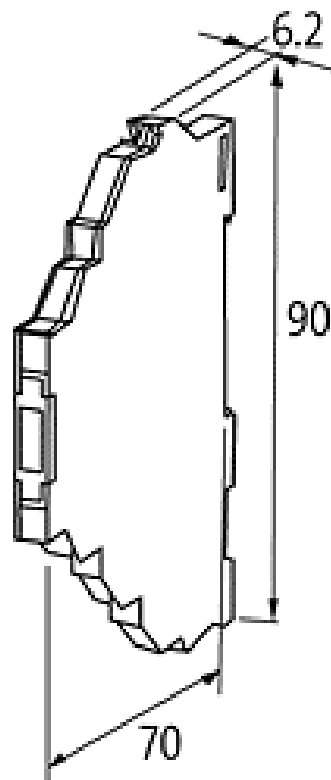
Liability regarding correctness, completeness, and actuality is limited to gross negligence. Created: 05/12

| Commercial data | |
|--|-----------------|
| Gross weight | 26 |
| Net weight | 26 |
| Weight unit | gram |
| Basic unit | pc. |
| Customs tariff number | 85364900 |
| Unit (piece) | 1 |
| Limited value | 1 |
| Accessories | Art.-No. |
| Wiring accessorie plug link | 90961 |
| Wiring accessorie red spacing 6,2 mm | 90976 |
| Wiring accessorie blue spacing 6,2 mm | 90975 |
| Wiring accessorie end cap red | 90982 |
| Wiring accessorie end cap blue | 90980 |
| Wiring accessorie 16 pole cross-section: 1 mm ² | 90977 |
| Control systems Label plate Miro | 90901 |
| Comments | |
| When the max. switching voltage/current is exceeded the gold plating is destroyed. The relay will then take on the properties of an output type. | |

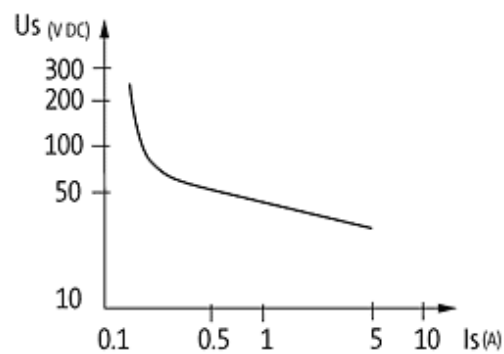
Circuit diagram



Dimension drawing



Load limit curve



De-rating curve

