

MIRO 6,2 48VDC-1U input relay IN: 48 VDC - OUT: 250V / 6 A

48 V DC  
Screw terminals

## Image



Vicarious picture

## Approvals



## Switching capacity according to (EN 60947)

|       |          |           |             |
|-------|----------|-----------|-------------|
| 24 V  | AC12;6 A | AC15; 3 A | DC13; 1 A   |
| 110 V | AC12;6 A | AC15; 3 A | DC13; 0.2 A |
| 230 V | AC12;6 A | AC15; 3 A | DC13; 0.1 A |

## Input

|               |               |
|---------------|---------------|
| Input voltage | 40...53 V DC  |
| Input current | approx. 12 mA |
| LED display   | LED (yellow)  |

## Output

|                                       |                      |
|---------------------------------------|----------------------|
| Switching voltage                     | max. 30 V AC/36 V DC |
| Switching current                     | max. 50 mA *)        |
| Min. load current                     | 1 mA/12 V DC         |
| Breaking capacity (voltage dependent) | max. 1500 VA/120 W   |
| Switching frequency                   | max. 10 Hz           |
| Contact material                      | Ag Sn O2 hv          |
| Energize/release/contact bounce time  | 10/15/1.5 ms         |

## General data

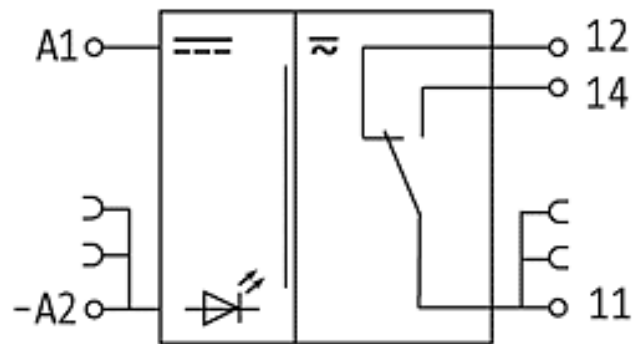
|                        |   |
|------------------------|---|
| Mech./ elect. life     | 2 × 10 <sup>7</sup> /load dependent (for inductive loads we recommend interference suppression components connected parallel to the coil) |
| Test isolation voltage | 4 kV; safe separation (EN 60947-1)  |
| Temperature range      | -20...+55 °C  |
| Mounting method        | DIN-rail mountable (EN 60715)   |
| Dimensions H × W × D   | 90 x 6.2 x 65 mm  |

All data on this data sheet was compiled carefully.

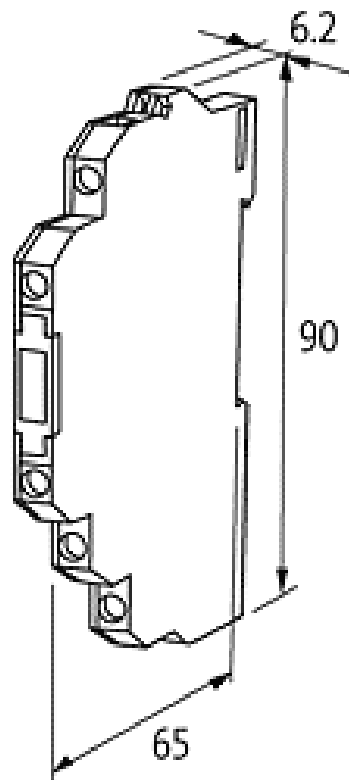
Liability regarding correctness, completeness, and actuality is limited to gross negligence. Created: 05/12

| Commercial data  |          |
|--|----------|
| Gross weight   | 35       |
| Net weight   | 35       |
| Weight unit  | gram     |
| Basic unit   | pc.      |
| Customs tariff number  | 85364900 |
| Unit (piece)   | 1        |
| Limited value  | 1        |
| Accessories  | Art.-No. |
| Wiring accessorie plug link  | 90961    |
| Wiring accessorie red spacing 6,2 mm   | 90976    |
| Wiring accessorie blue spacing 6,2 mm  | 90975    |
| Wiring accessorie end cap red  | 90982    |
| Wiring accessorie end cap blue   | 90980    |
| Wiring accessorie 16 pole cross-section: 1 mm <sup>2</sup>   | 90977    |
| Control systems Label plate Miro   | 90901    |
| Comments   |          |
| When the max. switching voltage/current is exceeded the gold plating is destroyed. The relay will then take on the properties of an output type. |          |

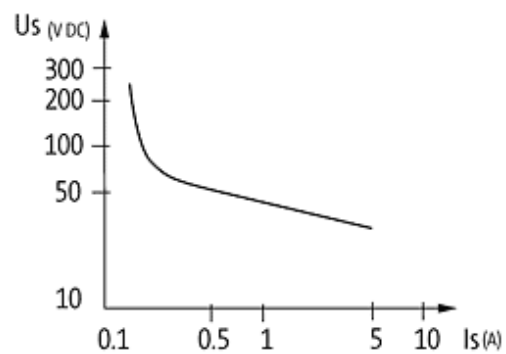
## Circuit diagram



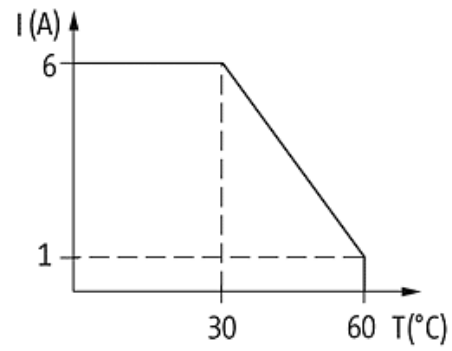
## Dimension drawing



## Load limit curve



## De-rating curve



Representante oficial de:



[Argentina – Uruguay – Paraguay – Bolivia – Colombia – y Perú.]



Calle 49 N° 5764 - Villa Ballester (B1653AOX) - Prov. de Buenos Aires - ARGENTINA  
Tel: (+54 11) 4768-4242 / Fax: (+54 11) 4849-1212  
Mail: [ventas@nakase.com.ar](mailto:ventas@nakase.com.ar) / Web: [www.nakase.com.ar](http://www.nakase.com.ar)

