

Siemens contactor suppressor zener diode, 24VDC

24 V DC
48 V DC
Diode/Z-Diode

Image

Vicarious picture

Approvals**Appropriate contactors**

DIL R-G, DIL R...
3 TH 3/4/8; 3 TF 30...45; 3 TB 40...3 TB 44

Technical Data

Damping factor	approx. 1.5 × UN
Temperature range	-20...+70 °C
Material	Flame retardant plastic acc. to (UL 94)
Connection wires	self-securing cable forks

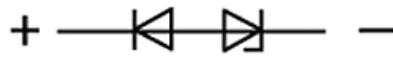
Commercial data

Net weight	12
Net weight	12
Weight unit	gram
Basic unit	pc.
Customs tariff number	85363010
Unit (piece)	1
Limited value	1

Comments

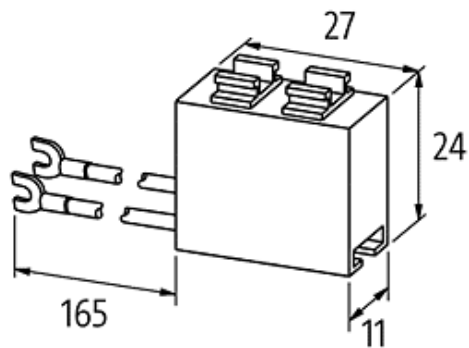
For other configurations and voltages, please inquire

Circuit diagram



Diode/Z-Diode

Dimension drawing



Representante oficial de:



[Argentina – Uruguay – Paraguay – Bolivia – Colombia – y Perú.]



Calle 49 N° 5764 - Villa Ballester (B1653AOX) - Prov. de Buenos Aires - ARGENTINA
Tel: (+54 11) 4768-4242 / Fax: (+54 11) 4849-1212
Mail: ventas@nakase.com.ar / Web: www.nakase.com.ar

