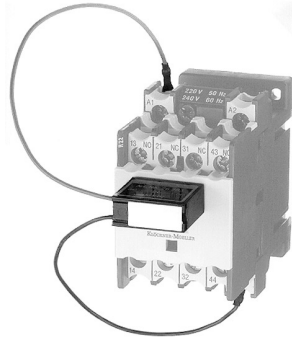


**Siemens contactor suppressor RC, 110VAC/DC**

48 V AC/DC  
110 V AC/DC  
RC

**Image**

Vicarious picture

**Approvals****Appropriate contactors**

DIL R-G, DIL R...  
3 TH 3/4/8; 3 TF 30...45; 3 TB 40...3 TB 44

**Technical Data**

Damping factor	approx. 1.5 × UN
Temperature range	-20...+70 °C
Material	Flame retardant plastic acc. to (UL 94)
Connection wires	self-securing cable forks

**Commercial data**

Net weight	11
Net weight	11
Weight unit	gram
Basic unit	pc.
Customs tariff number	85363010
Unit (piece)	1
Limited value	1

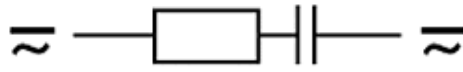
**Comments**

For other configurations and voltages, please inquire

All data on this data sheet was compiled carefully.

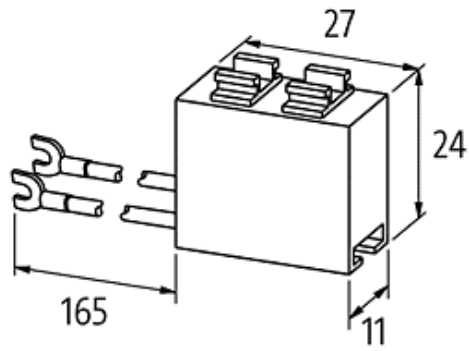
Liability regarding correctness, completeness, and actuality is limited to gross negligence. Created: 06/12

Circuit diagram



RC

Dimension drawing



Representante oficial de:



[Argentina – Uruguay – Paraguay – Bolivia – Colombia – y Perú.]



Calle 49 N° 5764 - Villa Ballester (B1653AOX) - Prov. de Buenos Aires - ARGENTINA  
Tel: (+54 11) 4768-4242 / Fax: (+54 11) 4849-1212  
Mail: [ventas@nakase.com.ar](mailto:ventas@nakase.com.ar) / Web: [www.nakase.com.ar](http://www.nakase.com.ar)

