

Moeller contactor suppressor RC, 110/230VAC

110 V AC/DC
230 V AC/DC
RC

Image

Vicarious picture

Approvals**Appropriate contactors**

DIL M40...95
XTCE040D...095F

Technical Data

Damping factor	approx. 1.5 × UN
Temperature range	-20...+70 °C
Material	Flame retardant plastic acc. to (UL 94)
Connection wires	Plug contact

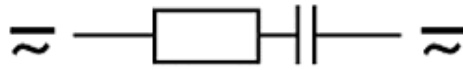
Commercial data

Net weight	6
Net weight	6
Weight unit	gram
Basic unit	pc.
Customs tariff number	85363010
Unit (piece)	1
Limited value	1

Comments

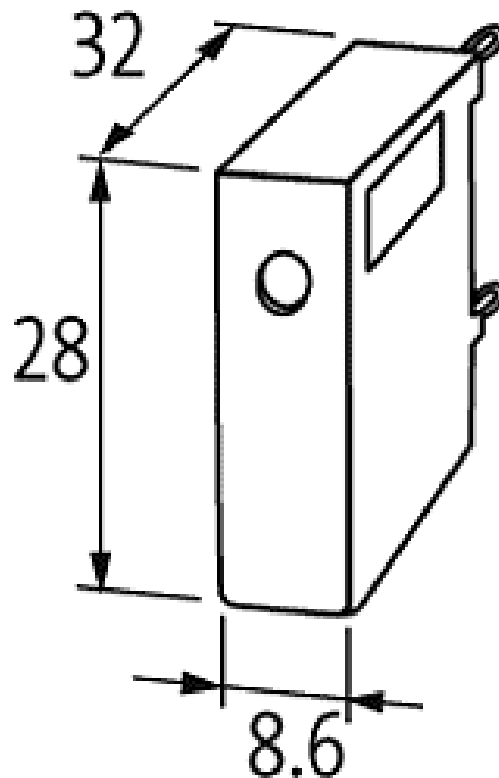
LED displays for 24 V DC without suppression available on request.

Circuit diagram



RC

Dimension drawing



Representante oficial de:



[Argentina – Uruguay – Paraguay – Bolivia – Colombia – y Perú.]



Calle 49 N° 5764 - Villa Ballester (B1653AOX) - Prov. de Buenos Aires - ARGENTINA
Tel: (+54 11) 4768-4242 / Fax: (+54 11) 4849-1212
Mail: ventas@nakase.com.ar / Web: www.nakase.com.ar

