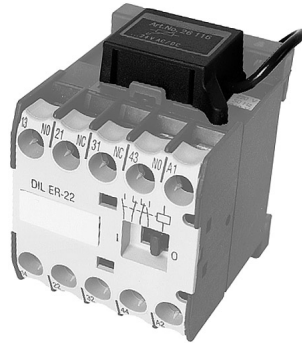


Moeller contactor suppressor RC, 110/230VAC

110 V AC/DC
RC

Image

Vicarious picture

Approvals**Appropriate contactors**

DIL E...C
XTMCC

Technical Data

Damping factor	approx. 1.5 × UN
Temperature range	-20...+70 °C
Connection wires	Ferrule end for spring contact
Material	Flame retardant plastic acc. to (UL 94)

Commercial data

Net weight	10
Net weight	10
Weight unit	gram
Basic unit	pc.
Customs tariff number	85363010
Unit (piece)	1
Limited value	1

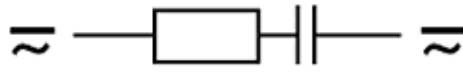
Comments

For other configurations and voltages, please inquire

All data on this data sheet was compiled carefully.

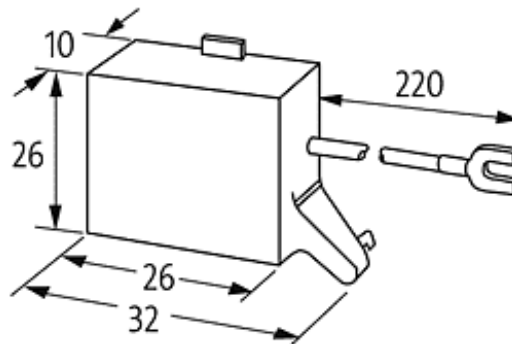
Liability regarding correctness, completeness, and actuality is limited to gross negligence. Created: 06/12

Circuit diagram



RC

Dimension drawing



Representante oficial de:



[Argentina – Uruguay – Paraguay – Bolivia – Colombia – y Perú.]



Calle 49 N° 5764 - Villa Ballester (B1653AOX) - Prov. de Buenos Aires - ARGENTINA
Tel: (+54 11) 4768-4242 / Fax: (+54 11) 4849-1212
Mail: ventas@nakase.com.ar / Web: www.nakase.com.ar

