

General Electric contactor suppressor RC, 24-48VAC/DC

24 V AC/DC

48 V AC/DC

RC

Image

Vicarious picture

Approvals**Appropriate contactors**CL 05, 06, 07, 08, 09, 10
CWM 50...105**Technical Data**

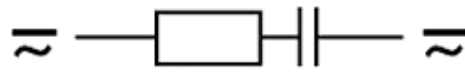
Damping factor	approx. 1.5 × UN
Temperature range	-20...+70 °C
Material	Flame retardant plastic acc. to (UL 94)
Connection wires	Plug contact

Commercial data

Net weight	20
Net weight	20
Weight unit	gram
Basic unit	pc.
Customs tariff number	85363010
Unit (piece)	1
Limited value	1

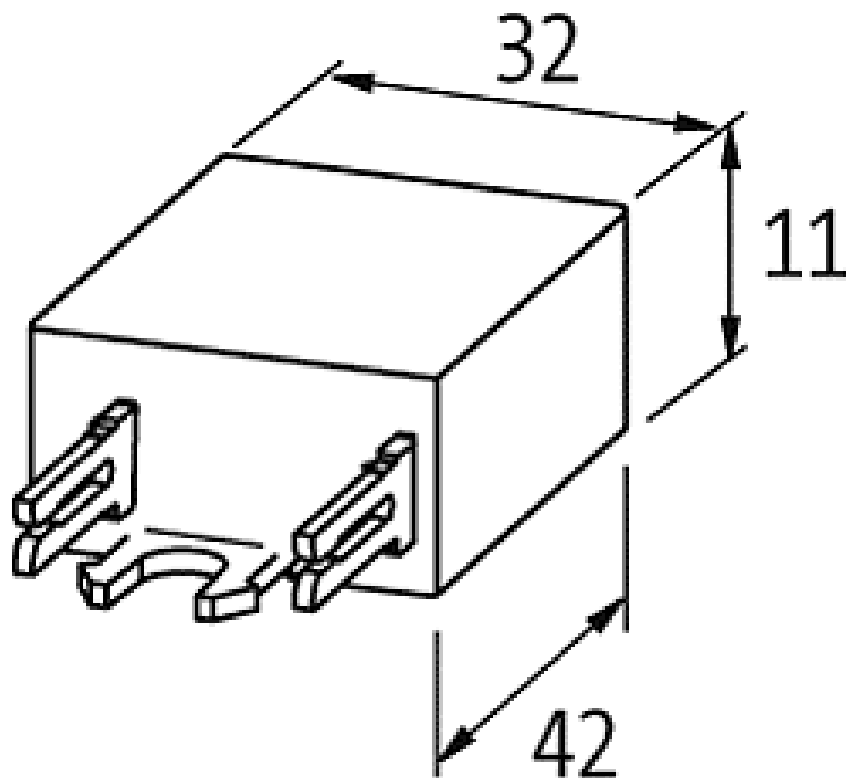
CommentsLED displays for 24 V DC without suppression available on request.
For other configurations and voltages, please inquire

Circuit diagram



RC

Dimension drawing



Representante oficial de:



[Argentina – Uruguay – Paraguay – Bolivia – Colombia – y Perú.]



Calle 49 N° 5764 - Villa Ballester (B1653AOX) - Prov. de Buenos Aires - ARGENTINA
Tel: (+54 11) 4768-4242 / Fax: (+54 11) 4849-1212
Mail: ventas@nakase.com.ar / Web: www.nakase.com.ar

