

## General Electric contactor suppressor varistor, 400VAC/DC

400 V AC/DC  
VDR

## Image



Vicarious picture

## Approvals



## Appropriate contactors

CL 00, 01, 02, 25  
CL 05, 06, 07, 08, 09, 10 (only AC coil voltage)  
CWM 9...25  
CWM 50...105

## Technical Data

Damping factor approx.  $1.5 \times UN$   
Temperature range  $-20...+70 \text{ }^\circ\text{C}$   
Material Flame retardant plastic acc. to (UL 94)  
Connection wires Plug contact

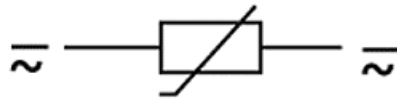
## Commercial data

Net weight 20  
Net weight 20  
Weight unit gram  
Basic unit pc.  
Customs tariff number 85363010  
Unit (piece) 1  
Limited value 1

## Comments

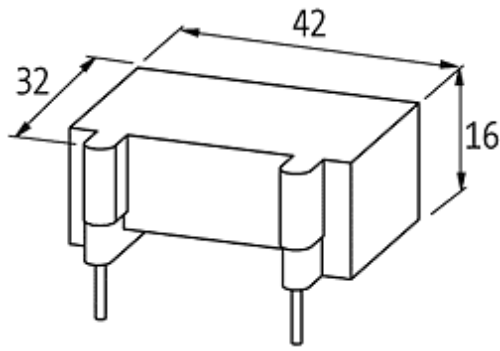
For other configurations and voltages, please inquire

Circuit diagram



VDR

Dimension drawing



Representante oficial de:



[Argentina – Uruguay – Paraguay – Bolivia – Colombia – y Perú.]



Calle 49 N° 5764 - Villa Ballester (B1653AOX) - Prov. de Buenos Aires - ARGENTINA  
Tel: (+54 11) 4768-4242 / Fax: (+54 11) 4849-1212  
Mail: [ventas@nakase.com.ar](mailto:ventas@nakase.com.ar) / Web: [www.nakase.com.ar](http://www.nakase.com.ar)

