

**General Electric contactor suppressor varistor, 400VAC/DC**

400 V AC/DC  
VDR

**Image**

Vicarious picture

**Approvals****Appropriate contactors**

CL 03, 04, 45  
CWM 25...40

**Technical Data**

|                   |   |
|-------------------|---|
| Damping factor    | approx. 1.5 × UN                        |
| Temperature range | -20...+70 °C                            |
| Material          | Flame retardant plastic acc. to (UL 94) |
| Connection wires  | Plug contact                            |

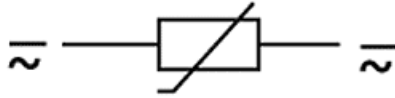
**Commercial data**

|                       |          |
|-----------------------|----------|
| Net weight            | 20       |
| Net weight            | 20       |
| Weight unit           | gram     |
| Basic unit            | pc.      |
| Customs tariff number | 85363010 |
| Unit (piece)          | 1        |
| Limited value         | 1        |

**Comments**

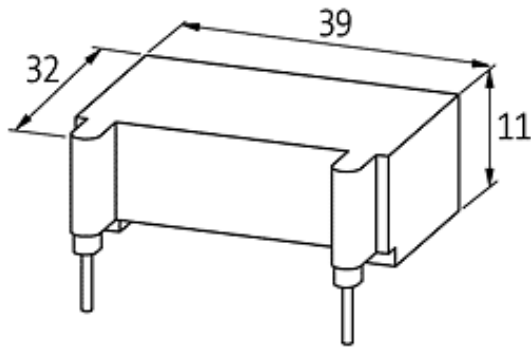
For other configurations and voltages, please inquire

Circuit diagram



VDR

Dimension drawing



Representante oficial de:



[Argentina – Uruguay – Paraguay – Bolivia – Colombia – y Perú.]



Calle 49 N° 5764 - Villa Ballester (B1653AOX) - Prov. de Buenos Aires - ARGENTINA  
Tel: (+54 11) 4768-4242 / Fax: (+54 11) 4849-1212  
Mail: [ventas@nakase.com.ar](mailto:ventas@nakase.com.ar) / Web: [www.nakase.com.ar](http://www.nakase.com.ar)

