

General Electric contactor suppressor diode, 0...240VDC

24...240 V DC

Diode

Image

Vicarious picture

Approvals**Appropriate contactors**

CL 03, 04, 45
 CL 05, 06, 07, 08, 09, 10 (only DC coil voltage)
 CWM 25...40
 CWM 50...105

Technical Data

Damping factor approx. 1.5 × UN
 Temperature range -20...+70 °C
 Material Flame retardant plastic acc. to (UL 94)
 Connection wires Plug contact

Commercial data

Net weight 20
 Net weight 20
 Weight unit gram
 Basic unit pc.
 Customs tariff number 85363010
 Unit (piece) 1
 Limited value 1

All data on this data sheet was compiled carefully.

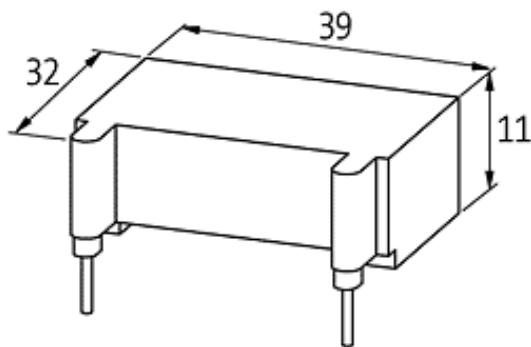
Liability regarding correctness, completeness, and actuality is limited to gross negligence. Created: 06/12

Circuit diagram



Diode

Dimension drawing



Representante oficial de:



[Argentina – Uruguay – Paraguay – Bolivia – Colombia – y Perú.]



Calle 49 N° 5764 - Villa Ballester (B1653AOX) - Prov. de Buenos Aires - ARGENTINA
Tel: (+54 11) 4768-4242 / Fax: (+54 11) 4849-1212
Mail: ventas@nakase.com.ar / Web: www.nakase.com.ar

