

General Electric contactor suppressor RC, 24-48VAC/DC

24 V AC/DC
48 V AC/DC
RC

Image

Vicarious picture

Approvals**Appropriate contactors**

CL 00, 01, 02, 25
CWM 9...25

Technical Data

| | |
|-------------------|---|
| Damping factor | approx. 1.5 × UN |
| Temperature range | -20...+70 °C |
| Material | Flame retardant plastic acc. to (UL 94) |
| Connection wires | Plug contact |

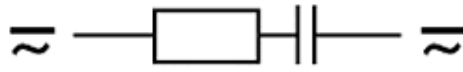
Commercial data

| | |
|-----------------------|----------|
| Net weight | 20 |
| Net weight | 20 |
| Weight unit | gram |
| Basic unit | pc. |
| Customs tariff number | 85363010 |
| Unit (piece) | 1 |
| Limited value | 1 |

Comments

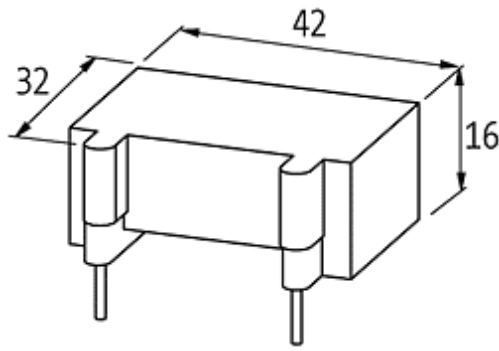
For other configurations and voltages, please inquire

Circuit diagram



RC

Dimension drawing



Representante oficial de:



[Argentina – Uruguay – Paraguay – Bolivia – Colombia – y Perú.]



Calle 49 N° 5764 - Villa Ballester (B1653AOX) - Prov. de Buenos Aires - ARGENTINA
Tel: (+54 11) 4768-4242 / Fax: (+54 11) 4849-1212
Mail: ventas@nakase.com.ar / Web: www.nakase.com.ar

