

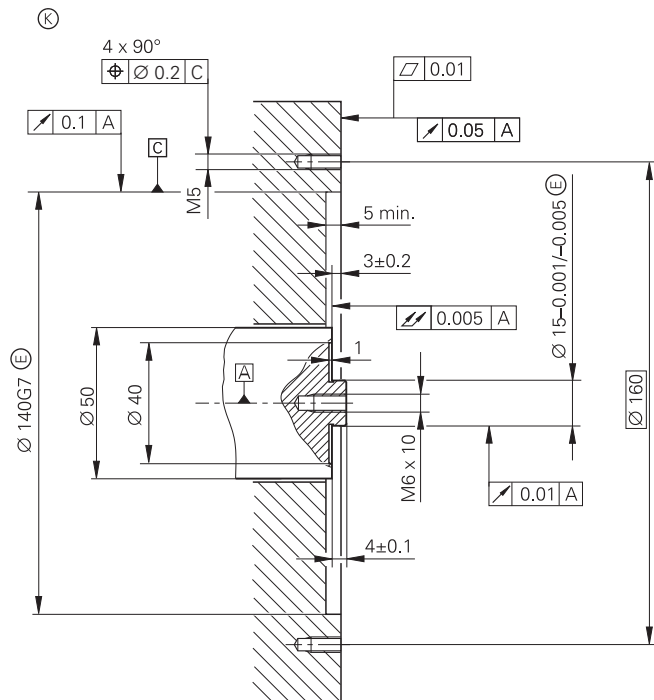
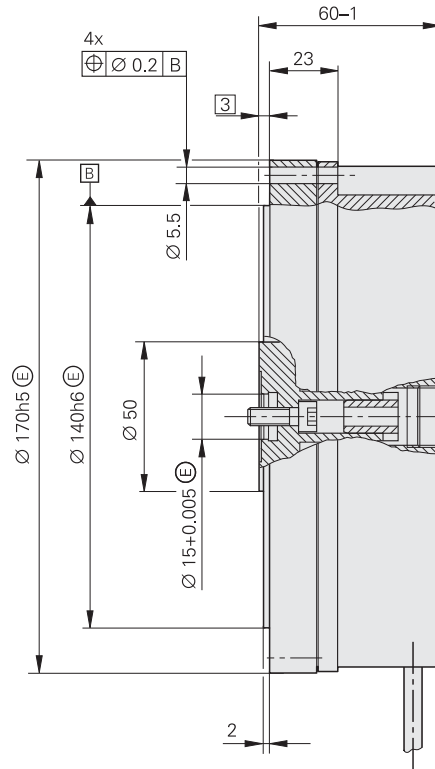
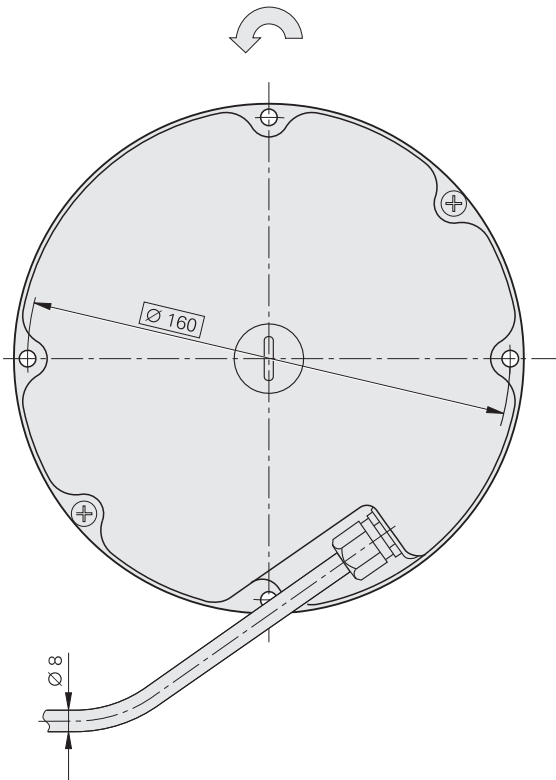
RON 905

- Integrated stator coupling
- Blind hollow shaft
- System accuracy $\pm 0.4''$

Dimensions in mm



Tolerancing ISO 8015
ISO 2768 - m H
< 6 mm: ± 0.2 mm



Cable radial, also usable axially

▣ = Bearing

⊗ = Required mating dimensions

↻ Direction of shaft rotation for output signal I₂ lagging I₁

	Incremental RON 905
Incremental signals	$\sim 11 \mu A_{PP}$
Line count	36 000
Reference mark	One
Cutoff frequency -3 dB	$\geq 40 \text{ kHz}$
Recommended measuring step for position measurement	0.00001°
System accuracy	$\pm 0.4''$
Power supply Without load	$5 \text{ V} \pm 5 \text{ \%}/\text{max. } 250 \text{ mA}$
Electrical connection	Cable 1 m, with M23 connector
Max. cable length¹⁾	15 m
Shaft	Blind hollow shaft
Mech. perm. speed	$\leq 100 \text{ min}^{-1}$
Starting torque	$\leq 0.05 \text{ Nm}$ at 20° C
Moment of inertia of rotor	$0.345 \cdot 10^{-3} \text{ kgm}^2$
Natural frequency	$\geq 350 \text{ Hz}$
Permissible axial motion of measured shaft	$\leq \pm 0.2 \text{ mm}$
Vibration 55 to 2000 Hz Shock 6 ms	$\leq 50 \text{ m/s}^2$ (EN 60068-2-6) $\leq 1000 \text{ m/s}^2$ (EN 60068-2-27)
Operating temperature	10 to 30° C
Protection EN 60529	IP 64
Weight	Approx. 4 kg

¹⁾ With HEIDENHAIN cable

Representante oficial de:



HEIDENHAIN

[Argentina – Bolivia – Chile – Colombia - Costa Rica – Ecuador - El Salvador –
Guatemala – Honduras – Nicaragua – Panamá – Paraguay – Perú -
República Dominicana – Uruguay – Venezuela.]



Calle 49 N° 5764 - Villa Ballester (B1653AOX) - Prov. de Buenos Aires - ARGENTINA
Tel: (+54 11) 4768-4242 / Fax: (+54 11) 4849-1212
Mail: ventas@nakase.com.ar / Web: www.nakase.com.ar

