

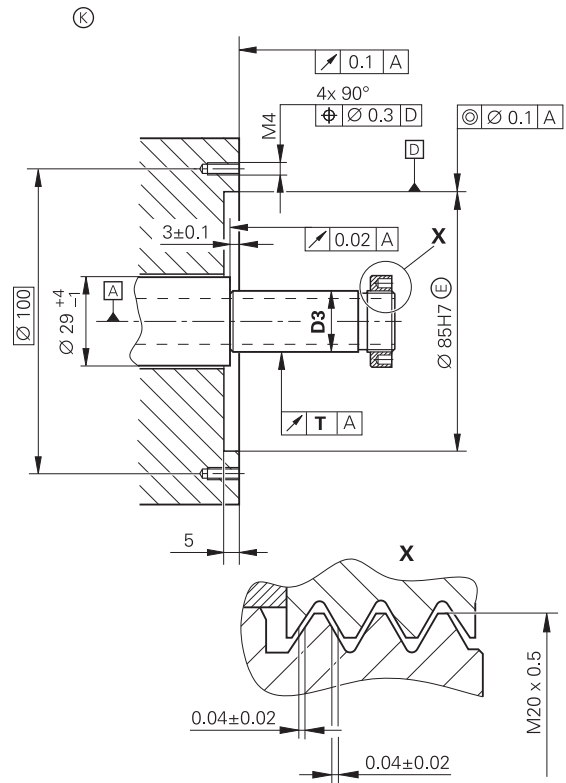
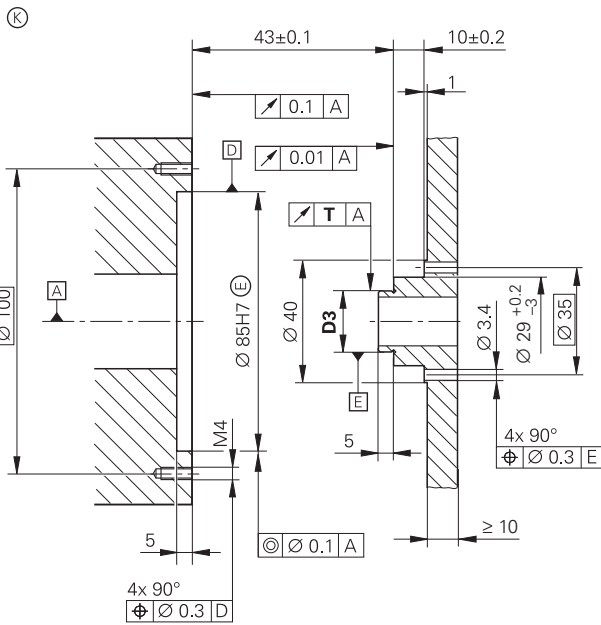
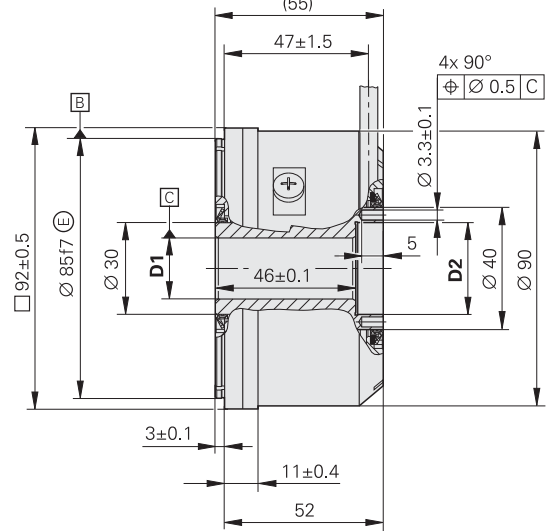
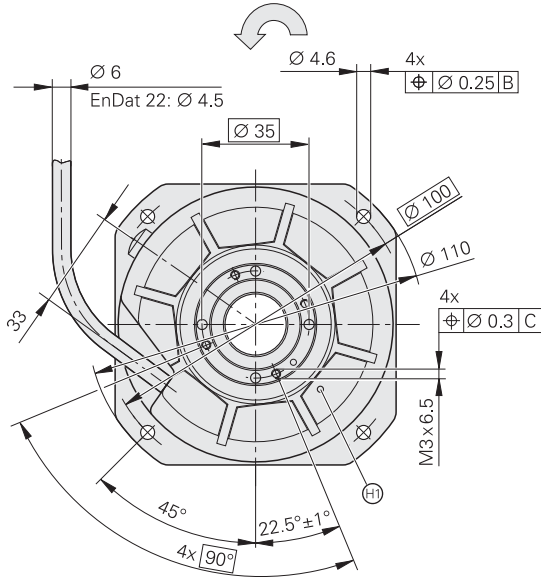
# RON 200 Series

- Integrated stator coupling
- Hollow through shaft  $\varnothing 20$  mm
- System accuracy  $\pm 5''$  and  $\pm 2.5''$

Dimensions in mm



Tolerancing ISO 8015  
ISO 2768 - m H  
< 6 mm:  $\pm 0.2$  mm



Cable radial, also usable axially





▣ = Bearing

⊗ = Required mating dimensions

⊙ = Position of the reference-mark signal ( $\pm 5^\circ$ )

↻ Direction of shaft rotation for output signals as per the interface description

System accuracy	$\pm 2.5''$	$\pm 5''$
D1	$\varnothing 20H6 \text{ E}$	$\varnothing 20H7 \text{ E}$
D2	$\varnothing 30H6 \text{ E}$	$\varnothing 30H7 \text{ E}$
D3	$\varnothing 20g6 \text{ E}$	$\varnothing 20g7 \text{ E}$
T	0.01	0.02

	Incremental				
	RON 225	RON 275	RON 275	RON 285	RON 287
<b>Incremental signals</b>	 TTL x 2	 TTL x 5	 TTL x 10	 1 V <sub>pp</sub>	
Line count Integrated interpolation* Output signals/rev	9000 2-fold 18000	18000 5-fold 90000	18000 10-fold 180000	18000	
Reference mark*	One			RON 2xx: One RON 2xxC: One	
Cutoff frequency –3 dB Output frequency Edge separation a	– ≤ 1 MHz ≥ 0.125 μs	– ≤ 250 kHz ≥ 0.96 μs	– ≤ 1 MHz ≥ 0.22 μs	≥ 180 kHz – –	
Elec. permissible speed	–	≤ 166 min <sup>-1</sup>	≤ 333 min <sup>-1</sup>	–	
<b>Recommended measuring step</b> for position measurement	0.005°	0.001°	0.0005°	0.0001°	
<b>System accuracy</b>	± 5"				± 2.5"
<b>Power supply</b> Without load	5 V ± 10 %, max. 150 mA				
<b>Electrical connection*</b>	Cable 1 m, with or without M23 coupling				
<b>Max. cable length<sup>1)</sup></b>	50 m			150 m	
<b>Shaft</b>	Hollow through shaft D = 20 mm				
<b>Mech. perm. speed</b>	≤ 3000 min <sup>-1</sup>				
<b>Starting torque</b>	≤ 0.08 Nm at 20 °C				
<b>Moment of inertia</b> of rotor	73 · 10 <sup>-6</sup> kgm <sup>2</sup>				
<b>Natural frequency</b>	≥ 1200 Hz				
<b>Permissible axial motion of measured shaft</b>	± 0.1 mm				
<b>Vibration</b> 55 to 2000 Hz <b>Shock</b> 6 ms	≤ 100 m/s <sup>2</sup> (EN 60068-2-6) ≤ 1000 m/s <sup>2</sup> (EN 60068-2-27)				
<b>Operating temperature</b>	Moving cable: –10 to 70 °C Stationary cable: –20 to 70 °C				0 °C to 50 °C
<b>Protection</b> EN 60529	IP 64				
<b>Weight</b>	Approx. 0.8 kg				

\* Please select when ordering

<sup>1)</sup> With HEIDENHAIN cable

Representante oficial de:



**HEIDENHAIN**

[Argentina – Bolivia – Chile – Colombia - Costa Rica – Ecuador - El Salvador –  
Guatemala – Honduras – Nicaragua – Panamá – Paraguay – Perú -  
República Dominicana – Uruguay – Venezuela.]



Calle 49 N° 5764 - Villa Ballester (B1653AOX) - Prov. de Buenos Aires - ARGENTINA  
Tel: (+54 11) 4768-4242 / Fax: (+54 11) 4849-1212  
Mail: [ventas@nakase.com.ar](mailto:ventas@nakase.com.ar) / Web: [www.nakase.com.ar](http://www.nakase.com.ar)

