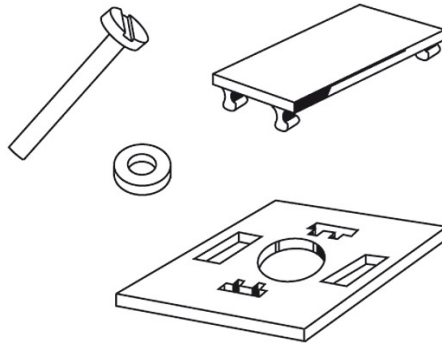


Accessories for pre-wired valve plug Replaced Art.-No. 996040

1 × flat gasket
1 × label plate
1 × isolation plate
1 × fixing screw
Pack contents:
Accessories set

Image

Vicarious picture

Commercial data

Net weight	10
Net weight	10
Weight unit	gram
Basic unit	pc.
Customs tariff number	85389099
Unit (piece)	10
Limited value	10

Representante oficial de:



[Argentina – Uruguay – Paraguay – Bolivia – Colombia – y Perú.]



Calle 49 N° 5764 - Villa Ballester (B1653AOX) - Prov. de Buenos Aires - ARGENTINA
Tel: (+54 11) 4768-4242 / Fax: (+54 11) 4849-1212
Mail: ventas@nakase.com.ar / Web: www.nakase.com.ar

