

**Exact8, NPN, 8-way with pre-wired homerun cable**

8-way, 4-pole  
for NPN signals 24 V DC

**Image**

Vicarious picture

**Approvals****Contact layout**

Contact 1	(+)
Contact 2	(N/C)/(S2)
Contact 3	(-)
Contact 4	(N/O)/(S1)
LED display	LED (green): Power    LED (yellow): signal (S1)    LED (white): Signal (S2)

**Form**

88111

**Technical Data**

Protection	IP65 and IP67 when plugged and screwed down (EN 60529)
Operating voltage	24 V DC
Operating current per contact (40 °C)	max. 1,76A
Signal per port	2
Total current	max. 10 A
Housing	Plastic, flame retardant
Temperature range	-20...+80 °C, depending on cable quality

**You can chose from the following variants:****Art.-No.**

Exact8, 8xM8, 4-pole, moulded cable 5.0m PUR/PVC 16x0.34+2x0.75 NPN-LED	8000-88111-3950500
Exact8, 8xM8, 4-pole, moulded cable 10.0m PUR/PVC 16x0.34+2x0.75 NPN-LED	8000-88111-3951000
Exact8, 8xM8, 4-pole, moulded cable 5.0m PUR 16x0,34+2x0,75 NPN-LED's	8000-88111-3960500
Exact8, 8xM8, 4-pole, moulded cable 10.0m PUR 16x0,34+2x0,75 NPN-LED's	8000-88111-3961000

All data on this data sheet was compiled carefully.

Liability regarding correctness, completeness, and actuality is limited to gross negligence. Created: 06/12

**Comments**

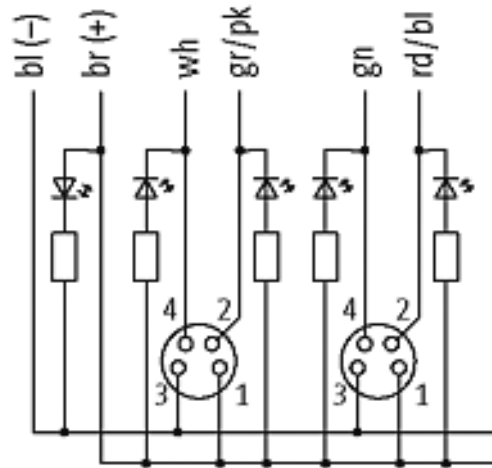
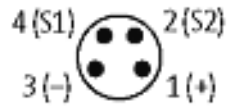
Further cable lengths on request.

Plastic housings with good resistance against chemicals and oils.

The resistance to aggressive media should be individually tested for your application. Further details on request.

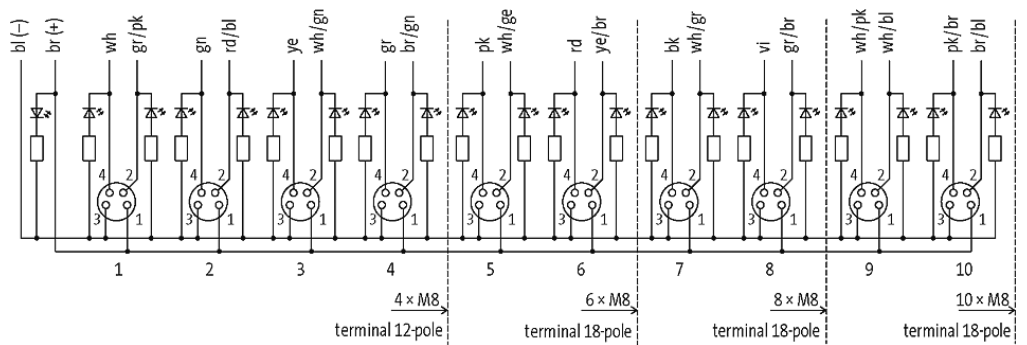
Contact layout

M8-Females 4-pole

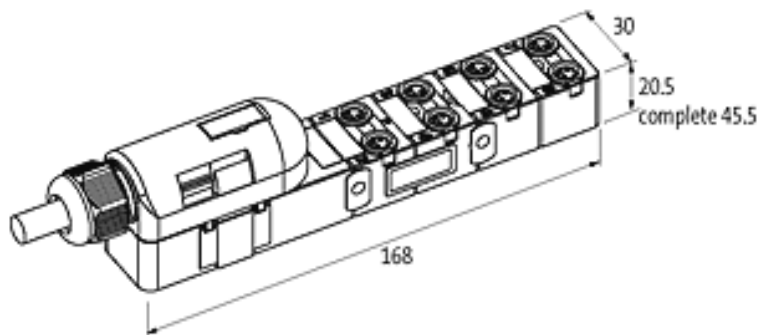


for 2 signals per port

Circuit diagram



Dimension drawing



All data on this data sheet was compiled carefully.

Liability regarding correctness, completeness, and actuality is limited to gross negligence. Created: 06/12

Representante oficial de:



[Argentina – Uruguay – Paraguay – Bolivia – Colombia – y Perú.]



Calle 49 N° 5764 - Villa Ballester (B1653AOX) - Prov. de Buenos Aires - ARGENTINA  
Tel: (+54 11) 4768-4242 / Fax: (+54 11) 4849-1212  
Mail: [ventas@nakase.com.ar](mailto:ventas@nakase.com.ar) / Web: [www.nakase.com.ar](http://www.nakase.com.ar)

