

Exact8, 8-way with pre-wired homerun cable

8-way, 3-pole

Image

Vicarious picture

Approvals**Contact layout**

| | |
|-------------|---|
| Contact 1 | (+) |
| Contact 3 | (-) |
| Contact 4 | (N/O)/(S1) |
| LED display | LED (green): Power LED (yellow): signal (S1) |

Form

88010

Technical Data

| | |
|---------------------------------------|--|
| Operating voltage | 24 V DC |
| Operating current per contact (40 °C) | max. 1,76A |
| Signal per port | 1 |
| Total current | max. 10 A |
| Protection | IP65 and IP67 when plugged and screwed down (EN 60529) |
| Housing | Plastic, flame retardant |
| Temperature range | -20...+80 °C, depending on cable quality |

You can chose from the following variants:**Art.-No.**

| | |
|---|--------------------|
| Exact8, 8xM8, 3-pole, moulded cable 3.0m PUR/PVC 8x0,34+2x0,75 | 8000-88010-3570300 |
| Exact8, 8xM8, 3-pole, moulded cable 5.0m PUR/PVC 8x0,34+2x0,75 | 8000-88010-3570500 |
| Exact8, 8xM8, 3-pole, moulded cable 10.0m PUR/PVC 8x0,34+2x0,75 | 8000-88010-3571000 |
| Exact8, 8xM8, 3-pole, moulded cable 15.0m PUR/PVC 8x0,34+2x0,75 | 8000-88010-3571500 |
| Exact8, 8xM8, 3-pole, moulded cable 3.0m PUR 8x0,34+2x0,75, UL/CSA | 8000-88010-3590300 |
| Exact8, 8xM8, 3-pole, moulded cable 5.0m PUR 8x0,34+2x0,75, UL/CSA | 8000-88010-3590500 |
| Exact8, 8xM8, 3-pole, moulded cable 10.0m PUR 8x0,34+2x0,75, UL/CSA | 8000-88010-3591000 |
| Exact8, 8xM8, 3-pole, moulded cable 15.0m PUR 8x0,34+2x0,75, UL/CSA | 8000-88010-3591500 |

All data on this data sheet was compiled carefully.

Liability regarding correctness, completeness, and actuality is limited to gross negligence. Created: 06/12

Comments

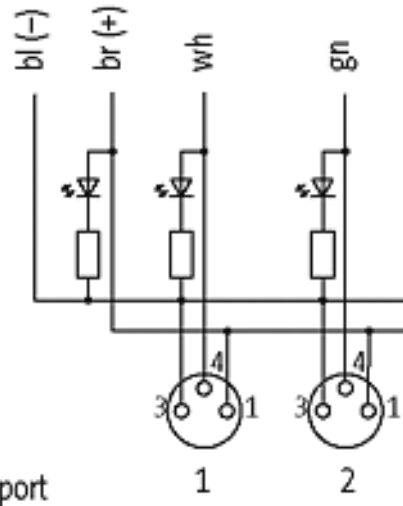
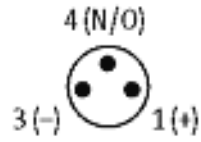
Further cable lengths on request.

Plastic housings with good resistance against chemicals and oils.

The resistance to aggressive media should be individually tested for your application. Further details on request.

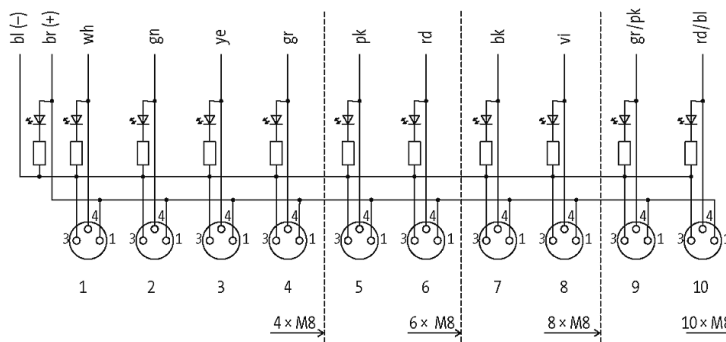
Contact layout

M8-Females 3-pole

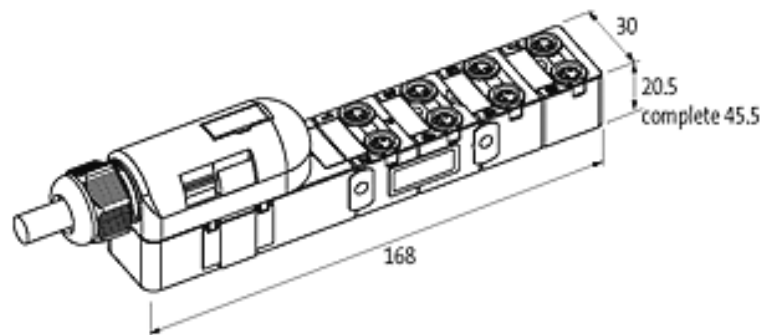


for 1 signal per port

Circuit diagram



Dimension drawing



Representante oficial de:



[Argentina – Uruguay – Paraguay – Bolivia – Colombia – y Perú.]



Calle 49 N° 5764 - Villa Ballester (B1653AOX) - Prov. de Buenos Aires - ARGENTINA
Tel: (+54 11) 4768-4242 / Fax: (+54 11) 4849-1212
Mail: ventas@nakase.com.ar / Web: www.nakase.com.ar

