

Exact12, 4xM12, 4-pole, plug. cap screw-term exit norm.

4-way, 4-pole
Form PNP
Screw plug-in terminals

Image



Vicarious picture

Approvals



Contact layout

Contact 1	(+)
Contact 3	(-)
Contact 4	(N/O)/(S1)
Contact 5	(Earth)
LED display	LED (green): Power LED (yellow): signal (S1)

Technical Data

Operating voltage	24 V DC
Operating current per contact (40 °C)	max. 4 A
Connection	Screw plug-in terminals max. 1.5 mm ² (AWG 16)
Total current	max. 8 A
Housing	Plastic, flame retardant
Protection	IP65 and IP67 when plugged and screwed down (EN 60529)
Temperature range	-20...+60 °C

Technical data M12 port

Locking of ports	Screw thread M12 × 1 mm
------------------	-------------------------

All data on this data sheet was compiled carefully.

Liability regarding correctness, completeness, and actuality is limited to gross negligence. Created: 06/12

Commercial data

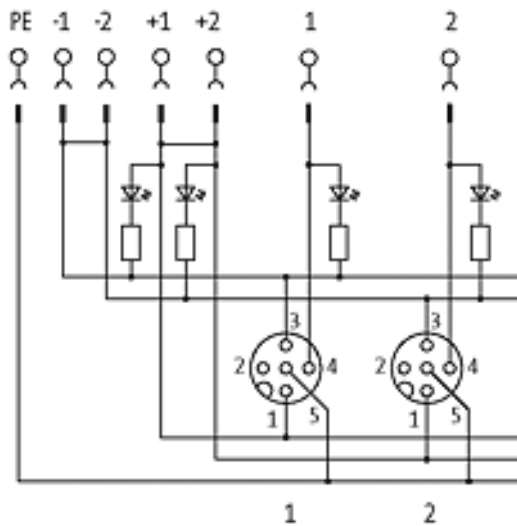
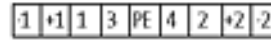
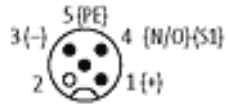
Net weight	153
Net weight	153
Weight unit	gram
Basic unit	pc.
Customs tariff number	85369010
Unit (piece)	1
Limited value	1

Comments

Plastic housings with good resistance against chemicals and oils.
The resistance to aggressive media should be individually tested for your application. Further details on request.

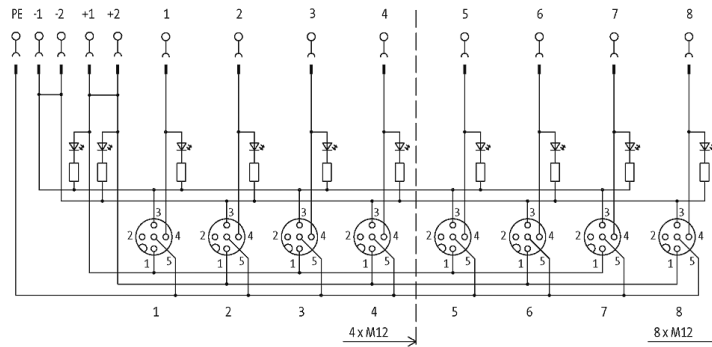
Contact layout

M12-Females 4-pole

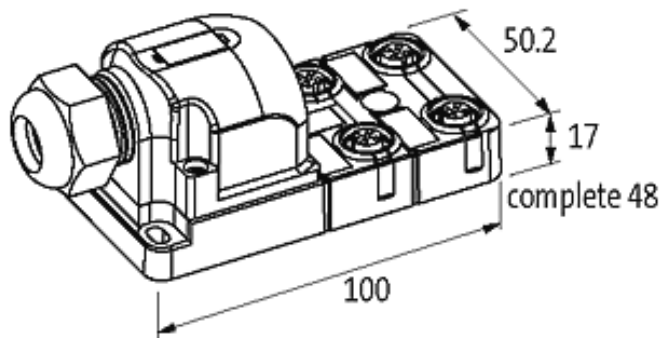


for 1 signal per port

Circuit diagram



Dimension drawing



De-rating curve