

Exact12, 8xM12, 4-pole, basic housing, NPN-LED without homerun-cable

8-way, 4-pole
Form NPN
Screw plug-in terminals

Image



Vicarious picture

Approvals



Contact layout

| | |
|-------------|---|
| Contact 1 | (+) |
| Contact 3 | (-) |
| Contact 4 | (N/O)/(S1) |
| Contact 5 | (Earth) |
| LED display | LED (green): Power LED (yellow): signal (S1) |

Technical Data

| | |
|---------------------------------------|--|
| Operating voltage | 24 V DC |
| Operating current per contact (40 °C) | max. 4 A |
| Total current | max. 8 A |
| Housing | Plastic, flame retardant |
| Protection | IP65 and IP67 when plugged and screwed down (EN 60529) |
| Temperature range | -20...+60 °C |

Technical data M12 port

| | |
|------------------|-------------------------|
| Locking of ports | Screw thread M12 × 1 mm |
|------------------|-------------------------|

All data on this data sheet was compiled carefully.

Liability regarding correctness, completeness, and actuality is limited to gross negligence. Created: 06/12

Commercial data

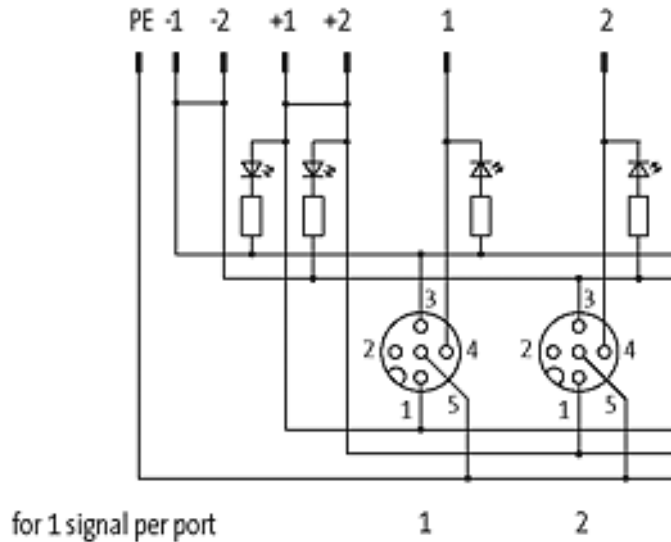
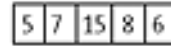
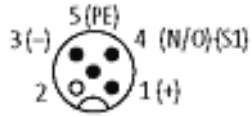
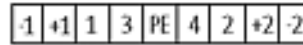
| | |
|-----------------------|----------|
| Net weight | 125 |
| Net weight | 125 |
| Weight unit | gram |
| Basic unit | pc. |
| Customs tariff number | 85369010 |
| Unit (piece) | 1 |
| Limited value | 1 |

Comments

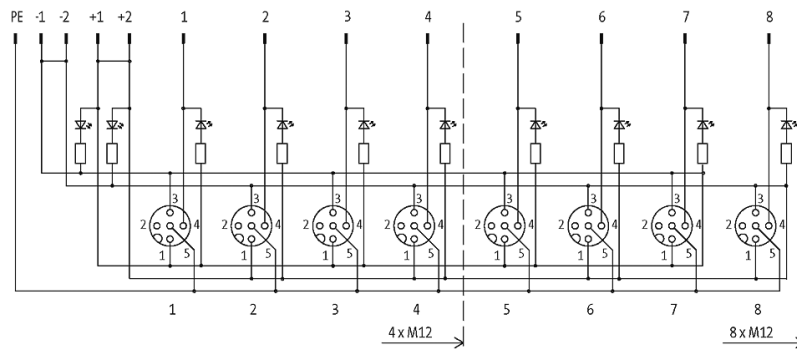
Plastic housings with good resistance against chemicals and oils.
The resistance to aggressive media should be individually tested for your application. Further details on request.

Contact layout

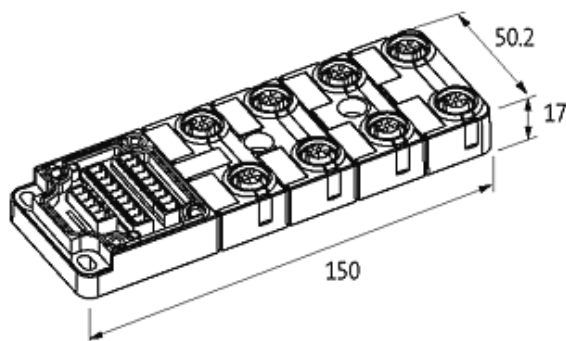
M12-Females 4-pole

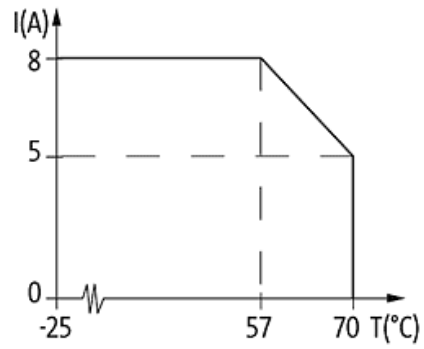


Circuit diagram



Dimension drawing



De-rating curve

Representante oficial de:



[Argentina – Uruguay – Paraguay – Bolivia – Colombia – y Perú.]



Calle 49 N° 5764 - Villa Ballester (B1653AOX) - Prov. de Buenos Aires - ARGENTINA
Tel: (+54 11) 4768-4242 / Fax: (+54 11) 4849-1212
Mail: ventas@nakase.com.ar / Web: www.nakase.com.ar

