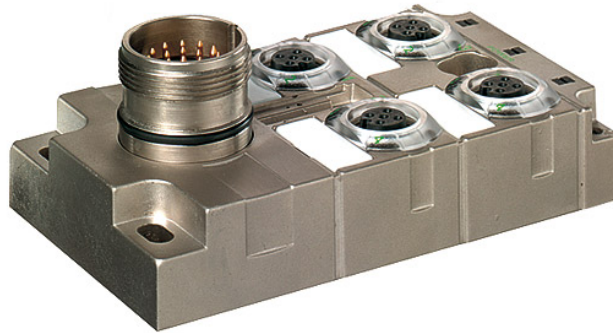


MVP-Metall, 4xM12, 5pole, M23 19pol. con. connector exit frontside

4-way, 5-pole
 M23 plug connection, 19-pole
 without LED for analog signals up to 125 V AC/DC
 Replaced identical product (Art.No. 27531)

Image

- unshielded or shielded usable

Vicarious picture

Approvals**Contact layout**

Contact 1	(+)
Contact 2	(N/C)/(S2)
Contact 3	(-)
Contact 4	(N/O)/(S1)
Contact 5	(Earth)
Shield	via M12 outer thread and M23 outer thread

Technical Data

Operating voltage	max. 125 V AC/DC
Operating current per contact (40 °C)	max. 4 A
Total current	max. 7.5 A
Housing	zinc die casting, matte nickel plated
Protection	IP65, IP67, IP68 when plugged and screwed down (EN 60529)
Temperature range	-25...+80 °C

Technical data M12 port

Locking of ports	Screw thread M12 × 1 mm
------------------	-------------------------

Commercial data

Net weight	320
Net weight	320
Weight unit	gram
Basic unit	pc.
Customs tariff number	85369010
Unit (piece)	1
Limited value	1

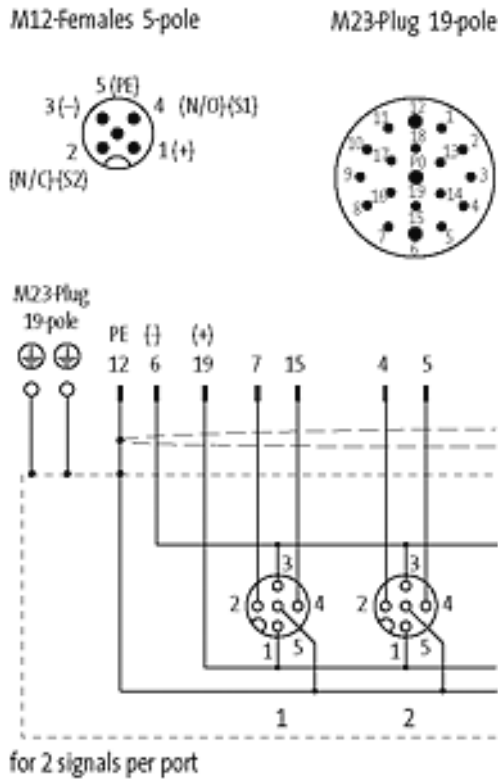
Comments

M12 contacts 1, 2, 3, 4 single wired; common PE

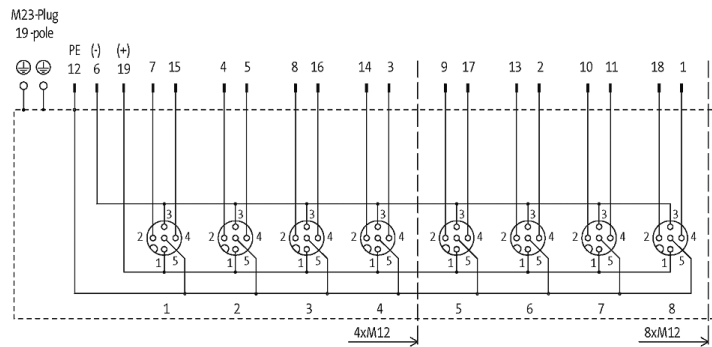
All data on this data sheet was compiled carefully.

Liability regarding correctness, completeness, and actuality is limited to gross negligence. Created: 06/12

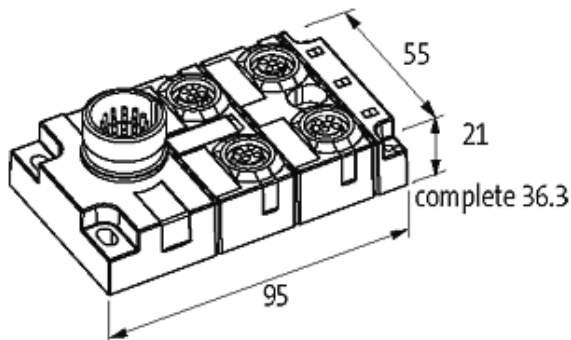
Contact layout

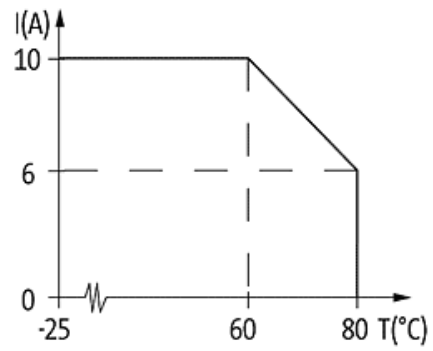


Circuit diagram



Dimension drawing



De-rating curve

Representante oficial de:



[Argentina – Uruguay – Paraguay – Bolivia – Colombia – y Perú.]



Calle 49 N° 5764 - Villa Ballester (B1653AOX) - Prov. de Buenos Aires - ARGENTINA
Tel: (+54 11) 4768-4242 / Fax: (+54 11) 4849-1212
Mail: ventas@nakase.com.ar / Web: www.nakase.com.ar

