

Passive-distr. plastic, 4xM12, 4pol, pre-wired cable 5.0m PUR-IB 4x0,34+3x0,75

4-way, 4-pole  
PUR/PVC  
5.0 m  
with LED for digital PNP-signals 24 V DC

### Image



Vicarious picture

### Approvals



#### Contact layout

Contact 1	(+)
Contact 2	(N/C)/(S2)
Contact 3	(-)
Contact 4	(N/O)/(S1)
Contact 5	(Earth)

#### Technical Data

Operating voltage	24 V DC
Operating voltage indicator	LED (green)
Signal per port	1
LED display per port	LED (yellow) per signal (PNP)
Operating current per contact (40 °C)	max. 4 A
Total current	max. 8 A
Housing	Plastic, flame retardant
Protection	IP65 and IP67 when plugged and screwed down (EN 60529)
Temperature range	-20...+80 °C

#### Technical data M12 port

Locking of ports	Screw thread M12 × 1 mm
------------------	-------------------------

All data on this data sheet was compiled carefully.

Liability regarding correctness, completeness, and actuality is limited to gross negligence. Created: 06/12

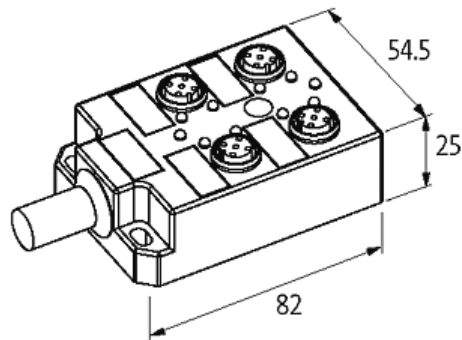
<b>Cable</b>		
No./diameter of wires	4 × 0.34 + 3 × 0.75 mm <sup>2</sup>	
C-track properties	2 Mio.	
Jacket	PUR/PVC	
Outer diameter	approx. 7.4 mm	
Bend radius (mobile)	12 × outer diameter	
Cable number	333	
<b>Commercial data</b>		
Net weight	456	
Net weight	456	
Weight unit	gram	
Basic unit	pc.	
Customs tariff number	85444290	
Unit (piece)	1	
Limited value	1	
<b>Accessories</b>		
	M12 plastic lock screw	<b>Art.-No.</b> 58627
	DIN-rail adapter	27905
<b>Comments</b>		
	Further cable lengths on request.	

## Contact layout

# M12 Females 4-pole



## Dimension drawing



Representante oficial de:



[Argentina – Uruguay – Paraguay – Bolivia – Colombia – y Perú.]



Calle 49 N° 5764 - Villa Ballester (B1653AOX) - Prov. de Buenos Aires - ARGENTINA  
Tel: (+54 11) 4768-4242 / Fax: (+54 11) 4849-1212  
Mail: [ventas@nakase.com.ar](mailto:ventas@nakase.com.ar) / Web: [www.nakase.com.ar](http://www.nakase.com.ar)

