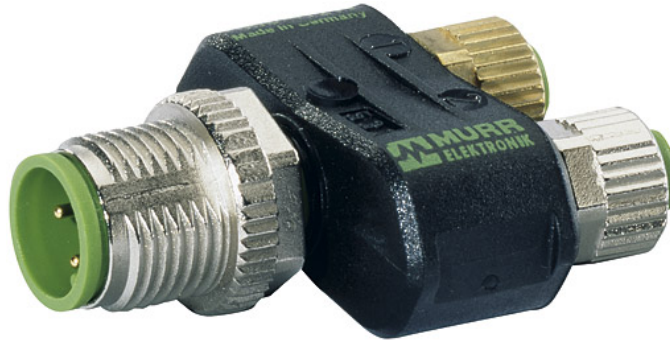


T-coupler SlimLine M12-male 3p./ 2x M8-female 3p.

T-coupler (Slimline) M12 - M8
3-pole
Parallel switch mode

Image

Vicarious picture

Approvals**Form**

41231

Technical Data

Operating voltage	max. 30 V AC/DC
Operating current per contact (40 °C)	max. 4 A
Protection	IP65 and IP67 when plugged and screwed down (EN 60529)
Temperature range	-25...+85 °C

Commercial data

Net weight	18
Net weight	18
Weight unit	gram
Basic unit	pc.
Customs tariff number	85369010
Unit (piece)	1
Limited value	1

Accessories

	Art.-No.
holder for M12-T-coupler (SlimLine)	7000-99061-0000000
holder for M12-T-coupler (SlimLine) + fixing set	7000-99062-0000000

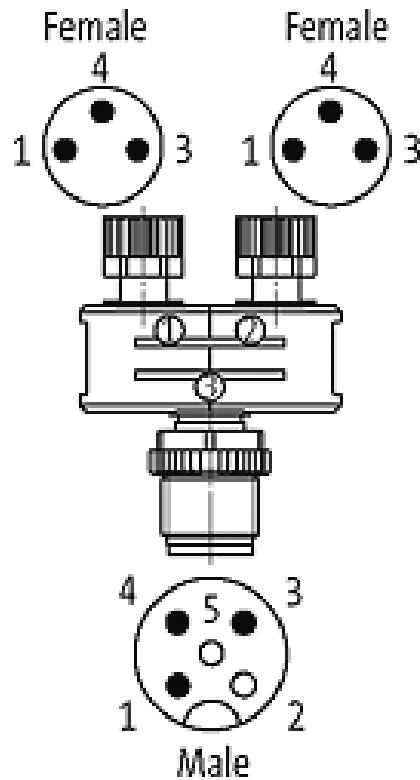
Comments

Plastic housings with good resistance against chemicals and oils.
The resistance to aggressive media should be individually tested for your application. Further details on request.

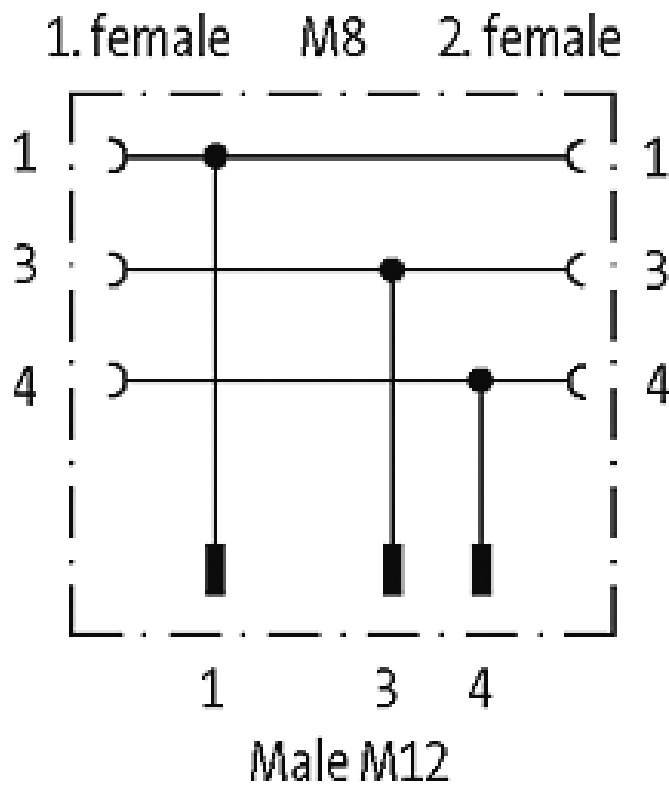
All data on this data sheet was compiled carefully.

Liability regarding correctness, completeness, and actuality is limited to gross negligence. Created: 06/12

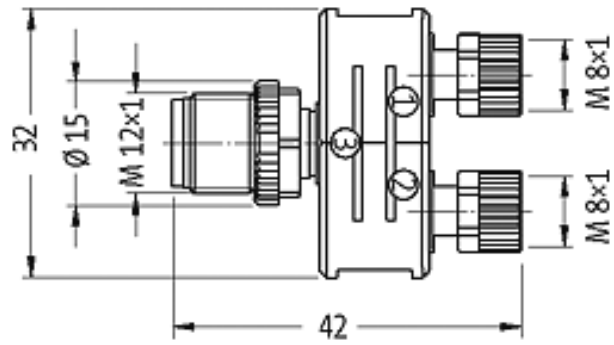
Contact layout



Circuit diagram



Dimension drawing



Representante oficial de:



[Argentina – Uruguay – Paraguay – Bolivia – Colombia – y Perú.]



Calle 49 N° 5764 - Villa Ballester (B1653AOX) - Prov. de Buenos Aires - ARGENTINA
Tel: (+54 11) 4768-4242 / Fax: (+54 11) 4849-1212
Mail: ventas@nakase.com.ar / Web: www.nakase.com.ar

