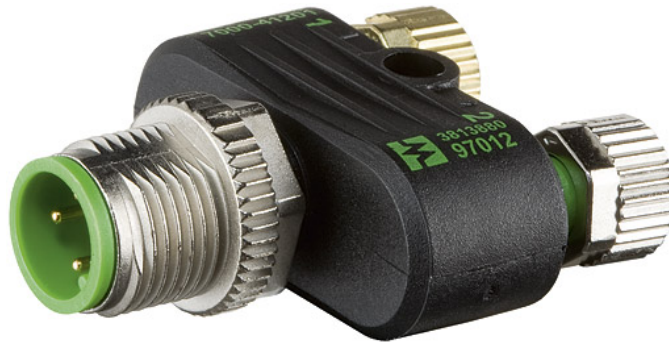


T-coupler M12-male 3p./ 2x M8-female 3p. Replaced Art.-No. 3813881

T-coupler M12 ? M8  
3-pole  
Parallel switch mode

## Image



Vicarious picture

## Approvals



## Form

41221

## Technical Data

|                                       |  |
|---------------------------------------|--|
| Operating voltage                     | max. 60 V AC/DC  |
| Operating current per contact (40 °C) | max. 4 A   |
| Protection                            | IP65 and IP67 when plugged and screwed down (EN 60529) |
| Temperature range                     | -25...+85 °C   |

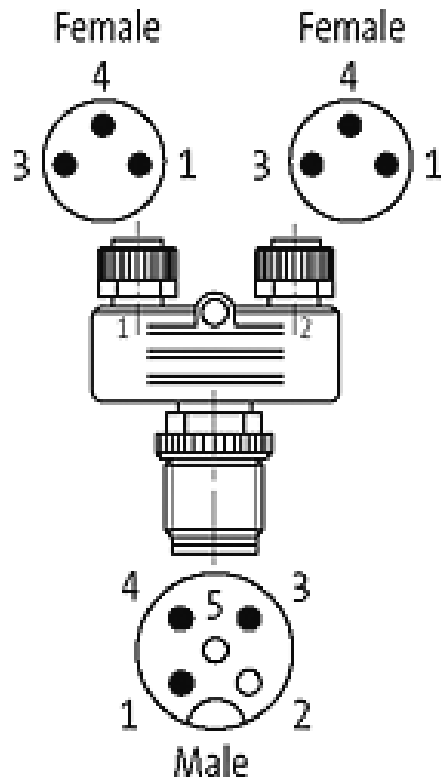
## Commercial data

|                       |          |
|-----------------------|----------|
| Net weight            | 20       |
| Net weight            | 20       |
| Weight unit           | gram     |
| Basic unit            | pc.      |
| Customs tariff number | 85369010 |
| Unit (piece)          | 1        |
| Limited value         | 1        |

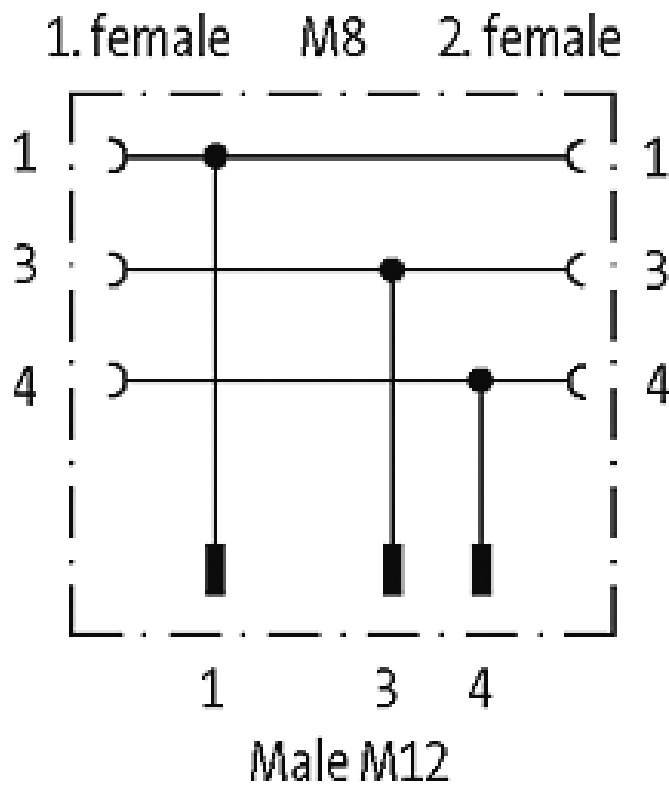
## Comments

Plastic housings with good resistance against chemicals and oils.  
The resistance to aggressive media should be individually tested for your application. Further details on request.

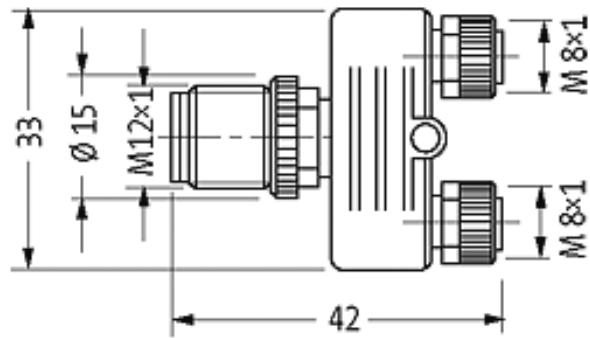
## Contact layout



## Circuit diagram



Dimension drawing



Representante oficial de:



[Argentina – Uruguay – Paraguay – Bolivia – Colombia – y Perú.]



Calle 49 N° 5764 - Villa Ballester (B1653AOX) - Prov. de Buenos Aires - ARGENTINA  
Tel: (+54 11) 4768-4242 / Fax: (+54 11) 4849-1212  
Mail: [ventas@nakase.com.ar](mailto:ventas@nakase.com.ar) / Web: [www.nakase.com.ar](http://www.nakase.com.ar)

