

**M12 male receptacle A-cod. front mount V2A PP-wires 4x0,34 0,2m**

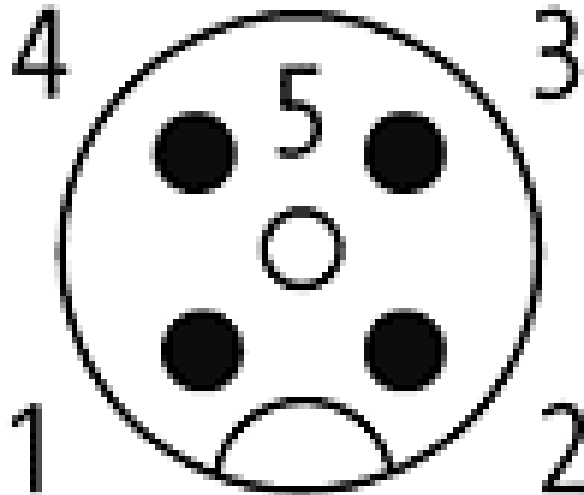
Flange M12 male (V2A stainless steel 1.4305)  
with multi-strand wire  
4-pole

Vicarious picture

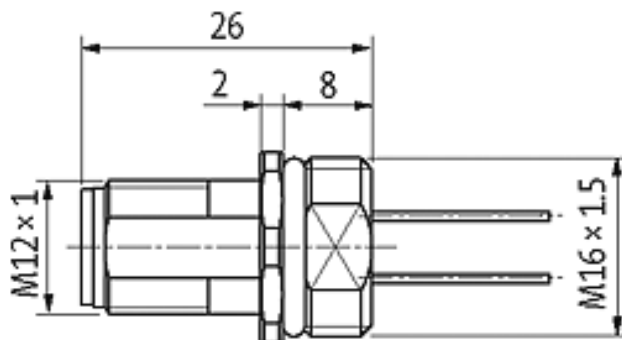
|                                       |   |
|---------------------------------------|---|
| <b>Form</b>                           |   |
|                                       | 13501   |
| <b>Technical Data</b>                 |   |
| Operating voltage                     | max. 250 V AC/DC  |
| Operating current per contact (40 °C) | max. 4 A  |
| Locking of ports                      | screw thread M12 × 1 mm (recommended torque = 0.6 Nm) self-securing |
| Locking material                      | Stainless steel 1.4305 (V2A)  |
| Protection                            | IP65 and IP67 when plugged and screwed down (EN 60529)              |
| Temperature range                     | -25...+85 °C  |
| <b>Cable</b>                          |   |
| No./diameter of wires                 | 4 × 0.34 mm <sup>2</sup>  |
| Wire isolation                        | PP (br, wh, bl, bk)   |
| C-track properties                    | Max. Externe Vorsicherung 20 A (T) in der Gebäudeinstallation       |
| Outer diameter                        | approx. 3.0 mm  |
| Bend radius (mobile)                  | 10 x outer diameter   |
| Temperature range (fixed)             | -40...+80 °C  |
| <b>Commercial data</b>                |   |
| Net weight                            | 15  |
| Net weight                            | 15  |
| Weight unit                           | gram  |
| Basic unit                            | pc.   |
| Customs tariff number                 | 85444290  |
| Unit (piece)                          | 1   |
| Limited value                         | 10  |
| <b>Accessories</b>                    |   |
|                                       | Hexagonal nut M16x1,5 for receptacle                                |
|                                       | <b>Art.-No.</b><br>7000-13581-000000                                |

Contact layout

# Male



Dimension drawing



Representante oficial de:



[Argentina – Uruguay – Paraguay – Bolivia – Colombia – y Perú.]



Calle 49 N° 5764 - Villa Ballester (B1653AOX) - Prov. de Buenos Aires - ARGENTINA  
Tel: (+54 11) 4768-4242 / Fax: (+54 11) 4849-1212  
Mail: [ventas@nakase.com.ar](mailto:ventas@nakase.com.ar) / Web: [www.nakase.com.ar](http://www.nakase.com.ar)

