

7/8" female receptacle wire 5x0,75 0,2m

Flange 7/8" female
with multi-strand wire
5-pole

Image

Vicarious picture

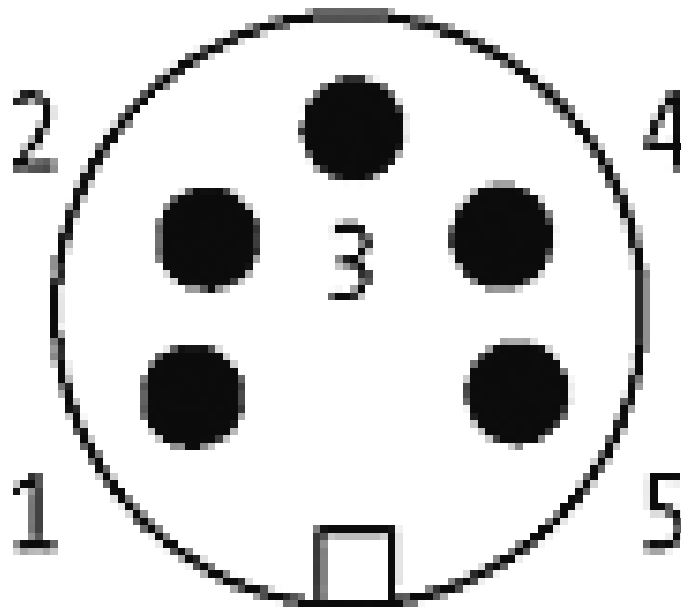
Form	78381
Technical Data	
Operating voltage	max. 250 V AC/DC
Operating current per contact (40 °C)	max. 9 A
Locking of ports	Screw thread 7/8"
Protection	IP65 and IP67 when plugged and screwed down (EN 60529)
Temperature range	-25...+85 °C
Connection	pre-wired with PVC-wire isolation, (UL/CSA)
Cable	
No./diameter of wires	5 × 0.75 mm ²
Wire isolation	PVC (br, wh, bl, bk, gnye)
C-track properties	Max. Externe Vorsicherung 20 A (T) in der Gebäudeinstallation
Outer diameter	approx. 7.8 mm
Bend radius (mobile)	10 x outer diameter
Temperature range (fixed)	-25...+85 °C
Commercial data	
Net weight	26
Net weight	26
Weight unit	gram
Basic unit	pc.
Customs tariff number	85444290
Unit (piece)	1
Limited value	1

All data on this data sheet was compiled carefully.

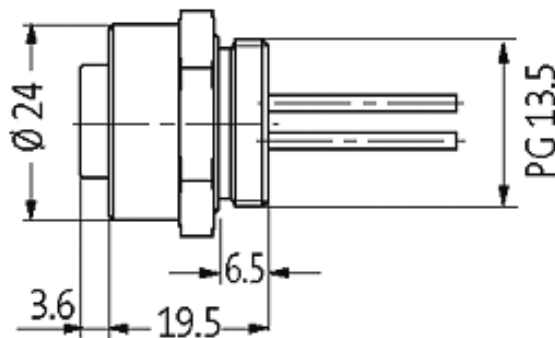
Liability regarding correctness, completeness, and actuality is limited to gross negligence. Created: 06/12

Contact layout

Female



Dimension drawing



Representante oficial de:



[Argentina – Uruguay – Paraguay – Bolivia – Colombia – y Perú.]



Calle 49 N° 5764 - Villa Ballester (B1653AOX) - Prov. de Buenos Aires - ARGENTINA
Tel: (+54 11) 4768-4242 / Fax: (+54 11) 4849-1212
Mail: ventas@nakase.com.ar / Web: www.nakase.com.ar

