

M12 male, 0°, shielded, d-cod., with cable, Ethernet PUR-OB 2x2x0,34 shielded green UL 1,5m

Ethernet CAT 5e, D-coded  
Male straight, M12  
4-pole, shielded

**Image**



Vicarious picture

**Approvals**



**Bus technologies**



**Form**

14541

<b>Technical Data</b>	
Operating voltage	60 V DC
Operating current per contact (40 °C)	max. 4 A
Protection	IP65 and IP67 when plugged and screwed down (EN 60529)
Locking of ports	screw thread M12 × 1 mm (recommended torque = 0.6 Nm) self-securing
Temperature range	-25...+85 °C, depending on cable quality
<b>Cable</b>	
No./diameter of wires	2 × 2 × 0.34 mm <sup>2</sup>
Wire isolation	PE (wh, ye, bl, or)
C-track properties	Max. Externe Vorsicherung 20 A (T) in der Gebäudeinstallation
Jacket	PUR (UL/CSA)
Outer diameter	approx. 6.7 mm
Bend radius (mobile)	12 × outer diameter
Temperature range (fixed)	-40...+80 °C
Temperature range (mobile)	-20...+60 °C
<b>Commercial data</b>	
Net weight	111
Net weight	111
Weight unit	gram
Basic unit	pc.
Customs tariff number	85444290
Unit (piece)	1
Limited value	1
<b>Comments</b>	

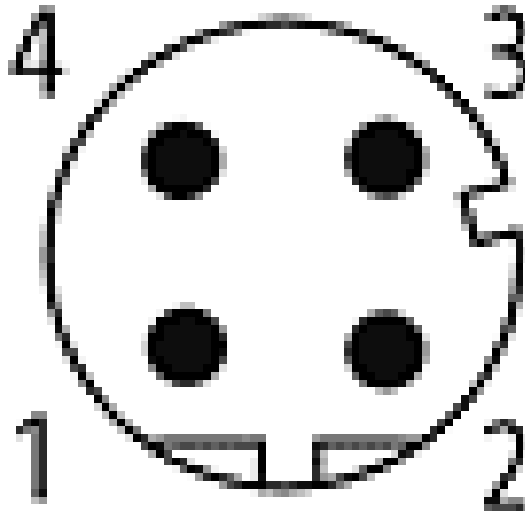
Further cable lengths on request.

Plastic housings with good resistance against chemicals and oils.

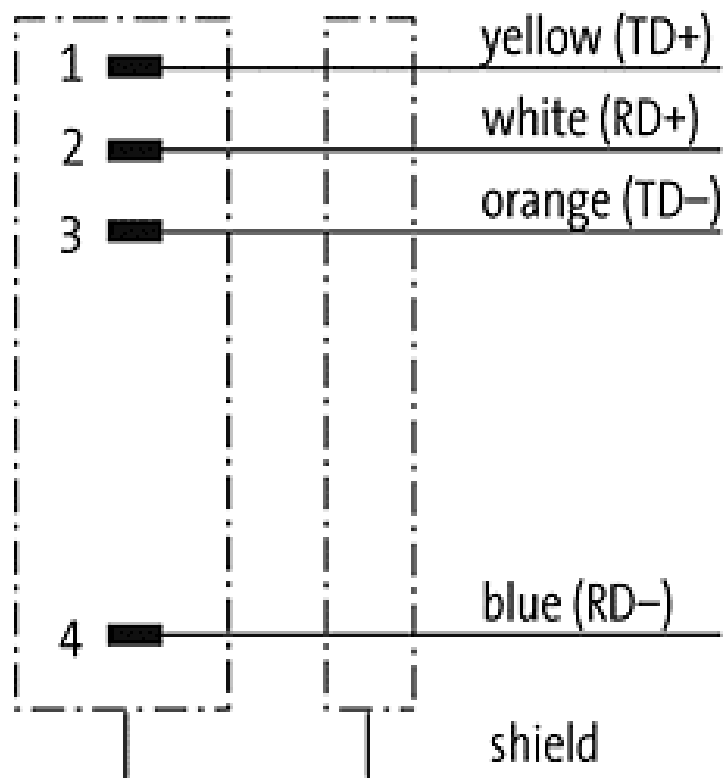
The resistance to aggressive media should be individually tested for your application. Further details on request.

## Contact layout

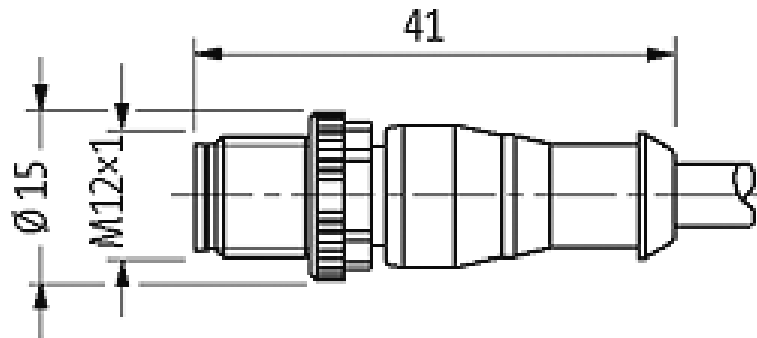
# Male



## Circuit diagram



Dimension drawing



Representante oficial de:



[Argentina – Uruguay – Paraguay – Bolivia – Colombia – y Perú.]



Calle 49 N° 5764 - Villa Ballester (B1653AOX) - Prov. de Buenos Aires - ARGENTINA  
Tel: (+54 11) 4768-4242 / Fax: (+54 11) 4849-1212  
Mail: [ventas@nakase.com.ar](mailto:ventas@nakase.com.ar) / Web: [www.nakase.com.ar](http://www.nakase.com.ar)

