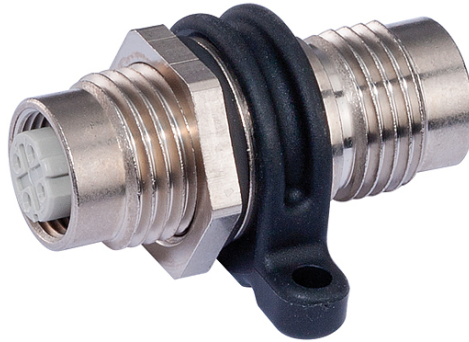


M12 Gender-Changer, female/female 4p. D-cod. for Ethernet

Gender Changer
M12 (female/female)
D-coded, 4-pole, shielded, CAT 5

Image

Vicarious picture

Bus technologies

EtherNet/IP
performance tested

PROFINET

EtherCAT
Technical Data

Operating voltage	max. 50 V AC/DC
Operating current per contact (40 °C)	max. 4 A
Locking of ports	screw thread M12 x 1 mm (recommended torque = 0.6 Nm) self-securing
Temperature range	-25...+85 °C
Protection	IP65 and IP67 when plugged and screwed down (EN 60529)

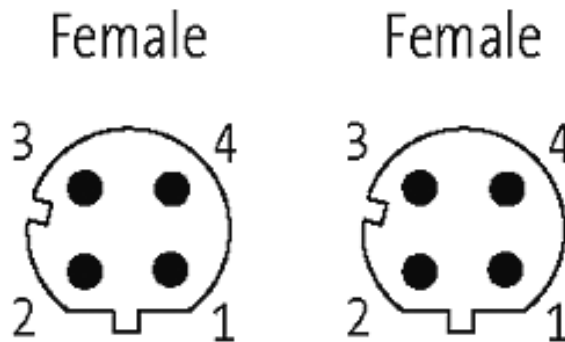
Commercial data

Net weight	37
Net weight	37
Weight unit	gram
Basic unit	pc.
Customs tariff number	85366990
Unit (piece)	1
Limited value	1

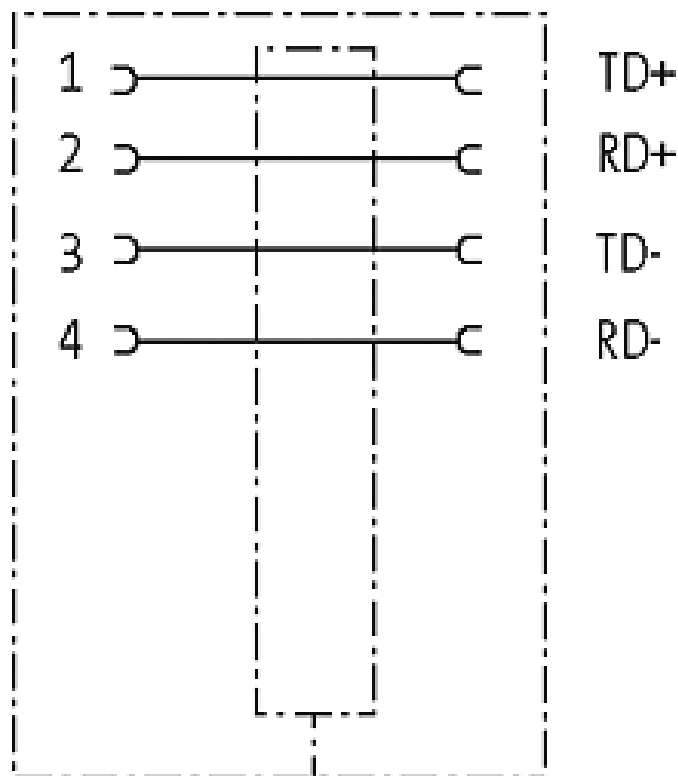
All data on this data sheet was compiled carefully.

Liability regarding correctness, completeness, and actuality is limited to gross negligence. Created: 06/12

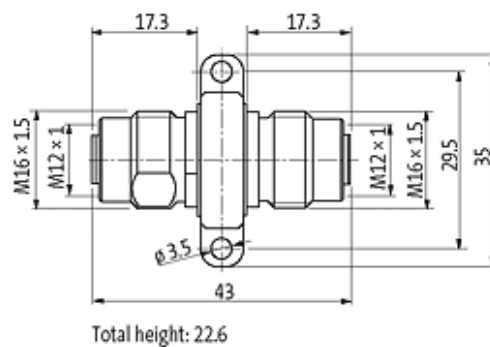
Contact layout



Circuit diagram



Dimension drawing



Representante oficial de:



[Argentina – Uruguay – Paraguay – Bolivia – Colombia – y Perú.]



Calle 49 N° 5764 - Villa Ballester (B1653AOX) - Prov. de Buenos Aires - ARGENTINA
Tel: (+54 11) 4768-4242 / Fax: (+54 11) 4849-1212
Mail: ventas@nakase.com.ar / Web: www.nakase.com.ar

