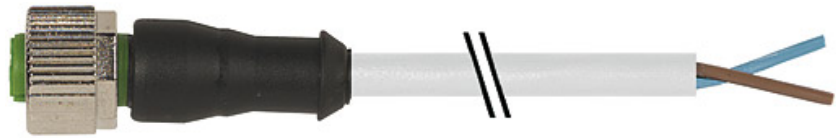


M12 female straight with cable Cube67 PUR-OB 2x0,5 grey 1,5m

Cube67, 6-pole
 Actuator supply external
 Female straight, M12
 2-pole used

Image

Vicarious picture

Approvals**Bus technologies****Form**

15001

Technical Data

Operating voltage	max. 30 V AC/DC
Operating current per contact (40 °C)	max. 4 A
Locking of ports	screw thread M12 × 1 mm (recommended torque = 0.6 Nm) self-securing
Protection	IP65 and IP67 when plugged and screwed down (EN 60529)
Temperature range	-25...+85 °C, depending on cable quality

All data on this data sheet was compiled carefully.

Liability regarding correctness, completeness, and actuality is limited to gross negligence. Created: 06/12

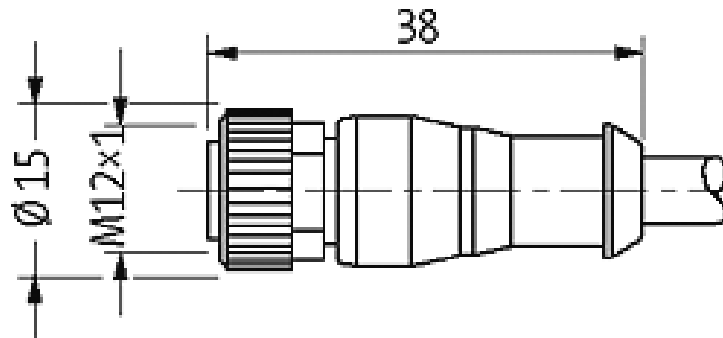
Cable	
No./diameter of wires	2 × 0.5 mm ²
Wire isolation	PP (br, bl)
C-track properties	5 Mio.
Jacket	PUR (UL/CSA), welding spark res.
Outer diameter	approx. 4.4 mm
Bend radius (mobile)	10 x outer diameter
Temperature range (fixed)	-25...+80 °C
Temperature range (mobile)	-25...+80 °C

Commercial data	
Net weight	57
Net weight	57
Weight unit	gram
Basic unit	pc.
Customs tariff number	85444290
Unit (piece)	1
Limited value	1

Comments

Further cable lengths on request.
 Plastic housings with good resistance against chemicals and oils.
 The resistance to aggressive media should be individually tested for your application. Further details on request.

Dimension drawing



Representante oficial de:



[Argentina – Uruguay – Paraguay – Bolivia – Colombia – y Perú.]



Calle 49 N° 5764 - Villa Ballester (B1653AOX) - Prov. de Buenos Aires - ARGENTINA
Tel: (+54 11) 4768-4242 / Fax: (+54 11) 4849-1212
Mail: ventas@nakase.com.ar / Web: www.nakase.com.ar

