

M23 female 19-pol., straight, with cable PUR-JB 16x0,34+3x0,75 shielded grey UL 5m

Female straight
 19-pole
 19-pole used
 for 8-way distribution boxes, 5-pole
 Shield on M23 cap nut

Image

Vicarious picture

Form

23751

Technical Data

Operating voltage	max. 125 V AC/DC
Operating current per contact (40 °C)	max. 7.5 A
Locking of ports	Screw thread M23 × 1 mm
Protection	IP65 and IP67 when plugged and screwed down (EN 60529)
Temperature range	-25...+85 °C, depending on cable quality

Cable

No./diameter of wires	16 × 0.34 + 3 × 0.75 mm ²
Wire isolation	TPE (grpk, wh, rdbl, gn, whgn, ye, brgn, gr, whye, pk, yebr, rd, whgr, bk, grbr, vi, br, bl, gnye)
C-track properties	5 Mio.
Jacket	PUR (UL/CSA), halogen free
Outer diameter	approx. 11.7 mm
Bend radius (mobile)	12 × outer diameter
Temperature range (fixed)	-40...+90 °C
Temperature range (mobile)	-40...+90 °C

Commercial data

Net weight	1662
Net weight	1662
Weight unit	gram
Basic unit	pc.
Customs tariff number	85444290
Unit (piece)	1
Limited value	1

Comments

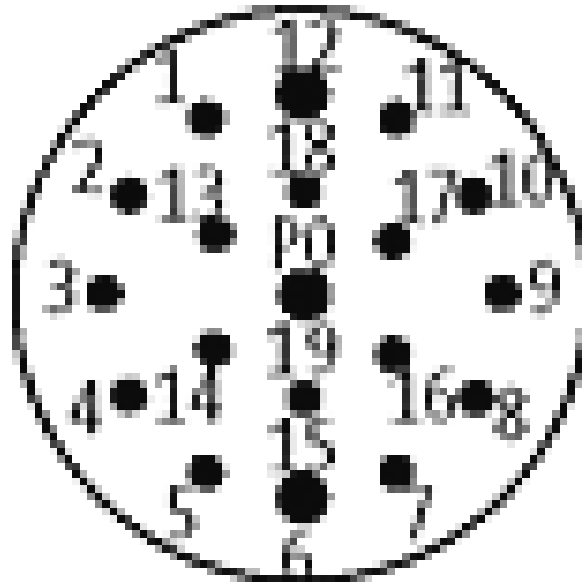
Further cable lengths on request.
 Plastic housings with good resistance against chemicals and oils.
 The resistance to aggressive media should be individually tested for your application. Further details on request.

All data on this data sheet was compiled carefully.

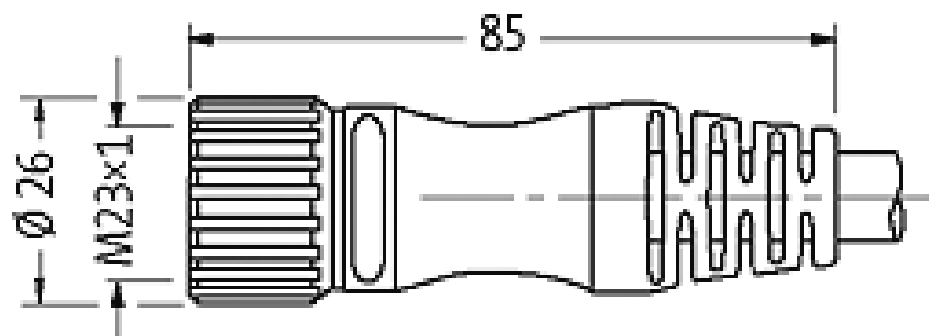
Liability regarding correctness, completeness, and actuality is limited to gross negligence. Created: 06/12

Contact layout

Female



Dimension drawing



Representante oficial de:



[Argentina – Uruguay – Paraguay – Bolivia – Colombia – y Perú.]



Calle 49 N° 5764 - Villa Ballester (B1653AOX) - Prov. de Buenos Aires - ARGENTINA
Tel: (+54 11) 4768-4242 / Fax: (+54 11) 4849-1212
Mail: ventas@nakase.com.ar / Web: www.nakase.com.ar

