

**MSCON-D Rond plug connector M23 Replaced Art.-No. 27849**

Female 90°  
with soldering connection  
19-pole

**Image**

Vicarious picture

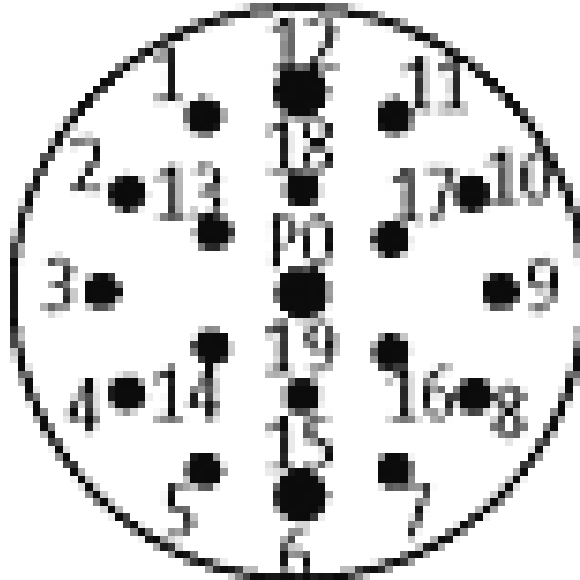
<b>Technical Data</b>	
Operating voltage	max. 150 V AC/DC
Operating current per contact (40 °C)	16 × 1.5 mm: max. 10 A
Connection diameter	max. 1 mm <sup>2</sup>
Clamping range (cable diameter)	8...14 mm
Connection	Solder buckets
Protection	IP65 and IP67 when plugged and screwed down (EN 60529)
Temperature range	-20...+125 °C
<b>Commercial data</b>	
Net weight	138
Net weight	138
Weight unit	gram
Basic unit	pc.
Customs tariff number	85369010
Unit (piece)	1
Limited value	1

All data on this data sheet was compiled carefully.

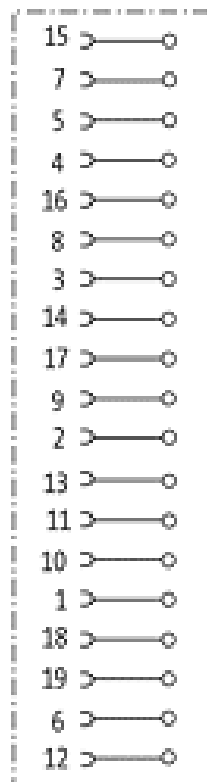
Liability regarding correctness, completeness, and actuality is limited to gross negligence. Created: 06/12

## Contact layout

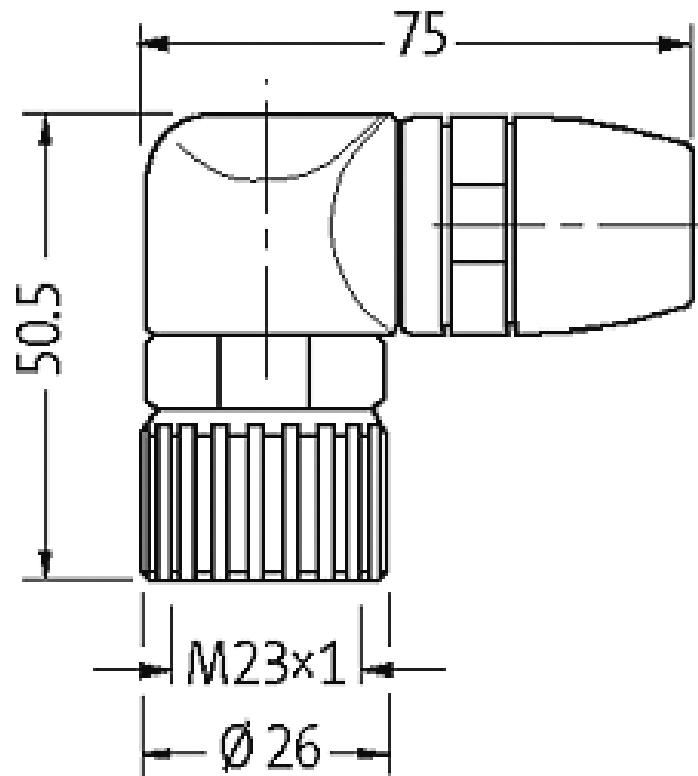
## Female



## Circuit diagram



Dimension drawing



Representante oficial de:



[Argentina – Uruguay – Paraguay – Bolivia – Colombia – y Perú.]



Calle 49 N° 5764 - Villa Ballester (B1653AOX) - Prov. de Buenos Aires - ARGENTINA  
Tel: (+54 11) 4768-4242 / Fax: (+54 11) 4849-1212  
Mail: [ventas@nakase.com.ar](mailto:ventas@nakase.com.ar) / Web: [www.nakase.com.ar](http://www.nakase.com.ar)

