

MSCON-B Replaced Art.-No. 33997

Female 90°
with soldering connection
12-pole

Image

Vicarious picture

Technical Data

Operating voltage	max. 150 V AC/DC
Operating current per contact (40 °C)	12 × 1 mm: max. 8 A
Connection diameter	max. 1 mm ²
Clamping range (cable diameter)	8...14 mm
Connection	Solder buckets
Protection	IP65 and IP67 when plugged and screwed down (EN 60529)
Temperature range	-20...+125 °C

Commercial data

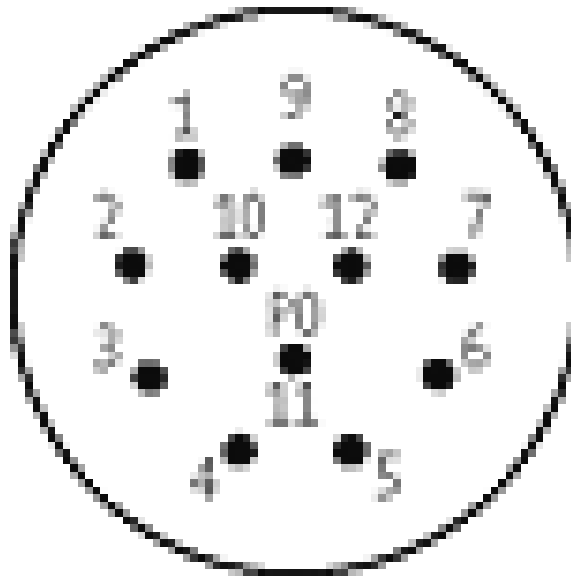
Net weight	166
Net weight	166
Weight unit	gram
Basic unit	pc.
Customs tariff number	85369010
Unit (piece)	1
Limited value	1

All data on this data sheet was compiled carefully.

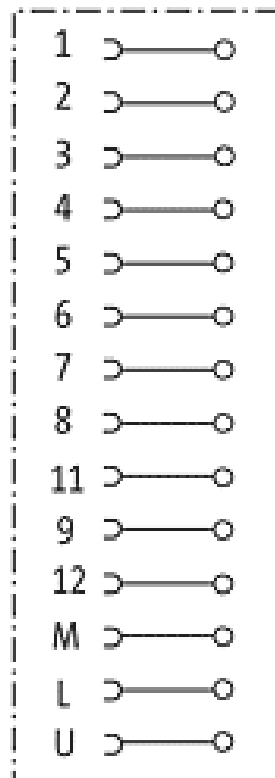
Liability regarding correctness, completeness, and actuality is limited to gross negligence. Created: 06/12

Contact layout

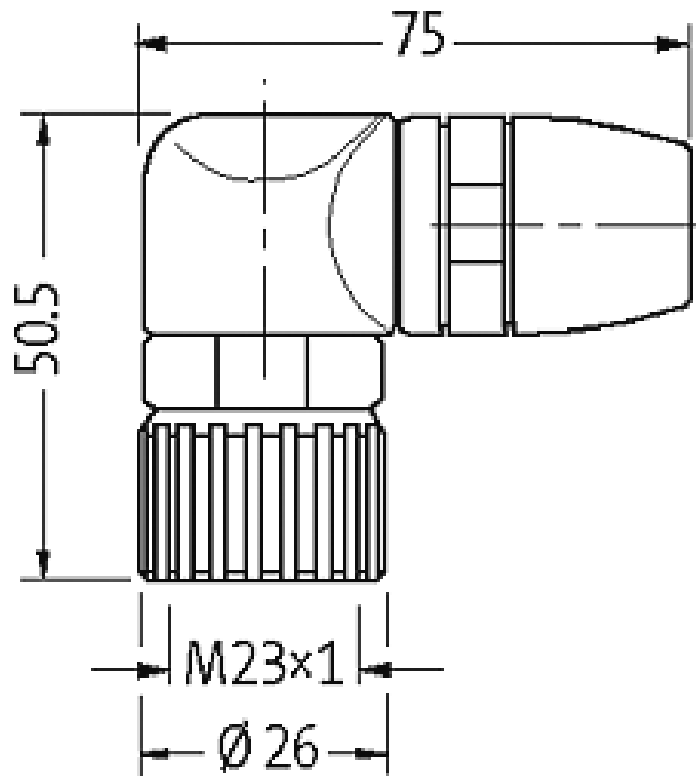
Female



Circuit diagram



Dimension drawing



Representante oficial de:



[Argentina – Uruguay – Paraguay – Bolivia – Colombia – y Perú.]



Calle 49 N° 5764 - Villa Ballester (B1653AOX) - Prov. de Buenos Aires - ARGENTINA
Tel: (+54 11) 4768-4242 / Fax: (+54 11) 4849-1212
Mail: ventas@nakase.com.ar / Web: www.nakase.com.ar

