

M12 male 90° field-wireable Replaced Art.-No. 27615

Male 90°

4-pole

Clamping range cable entry: 4...6 mm

Image

Vicarious picture

Approvals**Express shipments****Form**

12821

Technical Data

| | |
|---------------------------------------|--|
| Operating voltage | max. 250 V AC/DC |
| Operating current per contact (40 °C) | max. 4 A |
| Connection diameter | max. 0.75 mm ² |
| Clamping range (cable diameter) | 4...6 mm |
| Protection | IP65 and IP67 when plugged and screwed down (EN 60529) |
| Temperature range | -25...+85 °C |

Commercial data

| | |
|-----------------------|----------|
| Net weight | 24 |
| Net weight | 24 |
| Weight unit | gram |
| Basic unit | pc. |
| Customs tariff number | 85369010 |
| Unit (piece) | 1 |
| Limited value | 1 |

Comments

Plastic housings with good resistance against chemicals and oils.

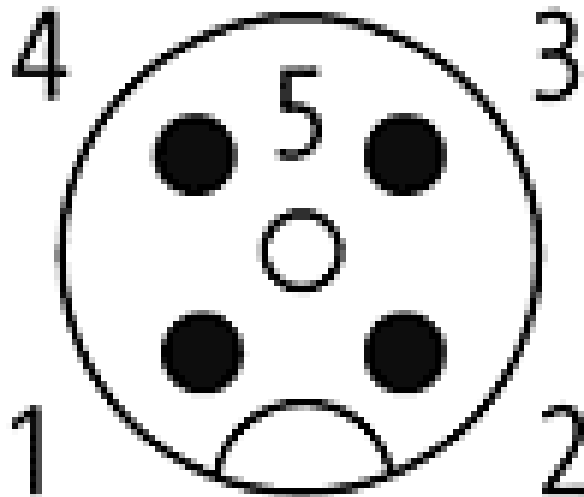
The resistance to aggressive media should be individually tested for your application. Further details on request.

All data on this data sheet was compiled carefully.

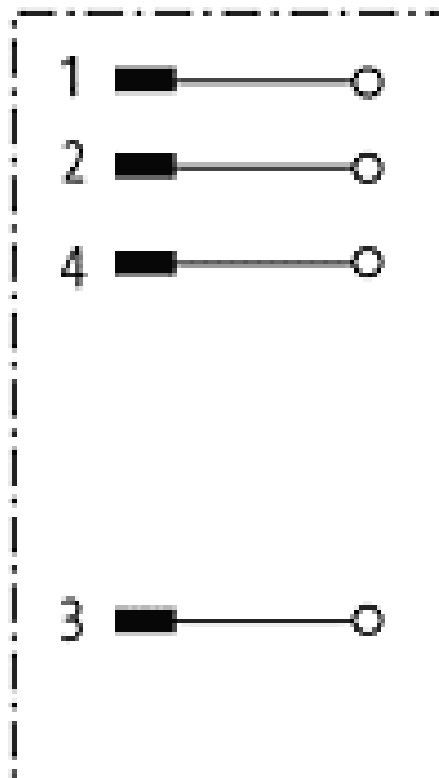
Liability regarding correctness, completeness, and actuality is limited to gross negligence. Created: 06/12

Contact layout

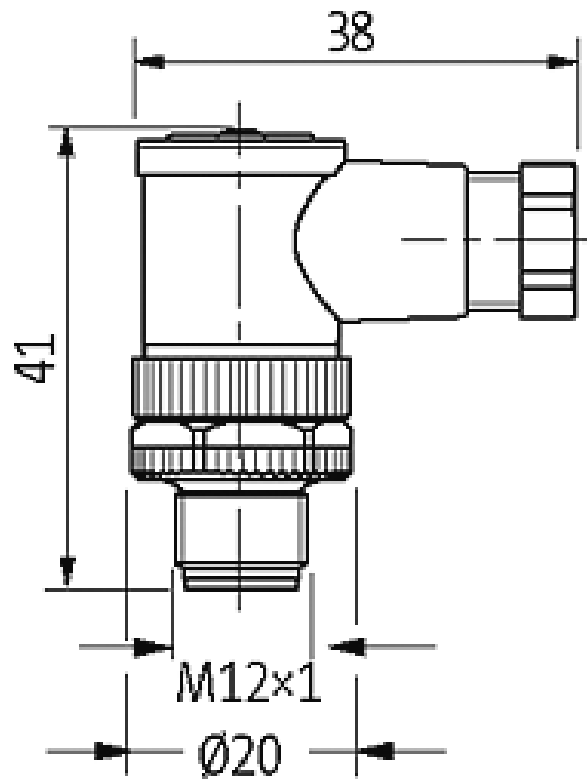
Male



Circuit diagram



Dimension drawing



Representante oficial de:



[Argentina – Uruguay – Paraguay – Bolivia – Colombia – y Perú.]



Calle 49 N° 5764 - Villa Ballester (B1653AOX) - Prov. de Buenos Aires - ARGENTINA
Tel: (+54 11) 4768-4242 / Fax: (+54 11) 4849-1212
Mail: ventas@nakase.com.ar / Web: www.nakase.com.ar

