

**M12 male straight shielded field-wireable Replaced Art.-No. 4227625**

Male straight  
5-pole, shielded  
Clamping range cable entry: 4...6 mm

**Image**

Vicarious picture

**Approvals****Form**

13301

**Technical Data**

|                                       |  |
|---------------------------------------|--|
| Operating voltage                     | max. 125 V AC/DC                                       |
| Operating current per contact (40 °C) | max. 4 A   |
| Connection diameter                   | max. 0.75 mm <sup>2</sup>                              |
| Clamping range (cable diameter)       | 4...6 mm   |
| Housing                               | CuZn, nickel plated                                    |
| Protection                            | IP65 and IP67 when plugged and screwed down (EN 60529) |
| Temperature range                     | -25...+85 °C   |

**Commercial data**

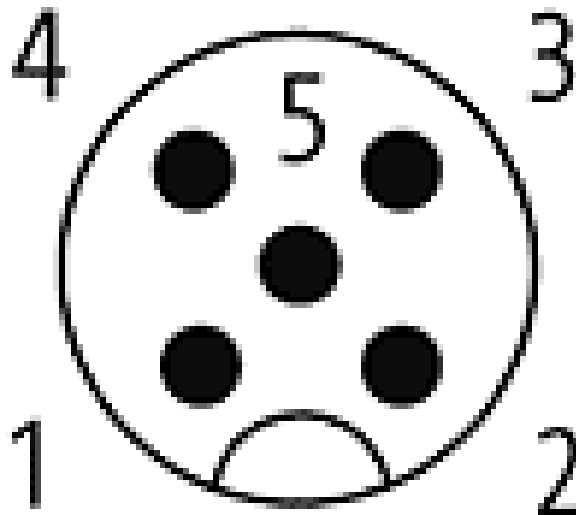
|                       |          |
|-----------------------|----------|
| Net weight            | 60       |
| Net weight            | 60       |
| Weight unit           | gram     |
| Basic unit            | pc.      |
| Customs tariff number | 85369010 |
| Unit (piece)          | 1        |
| Limited value         | 1        |

All data on this data sheet was compiled carefully.

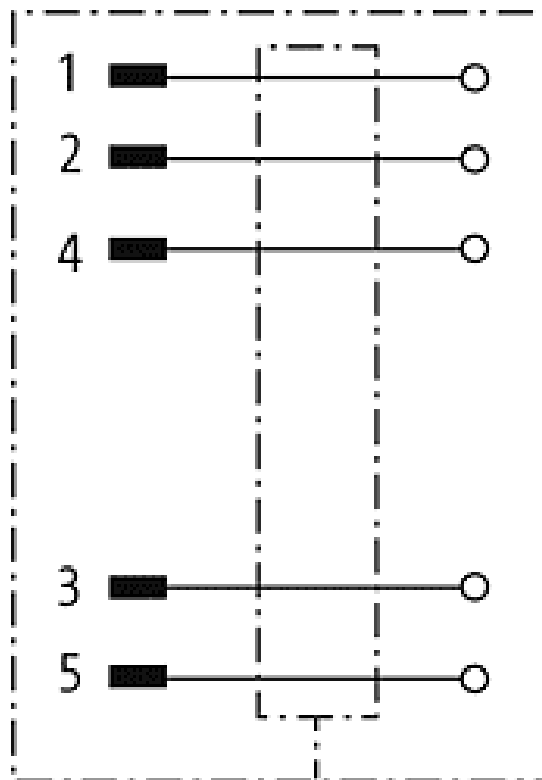
Liability regarding correctness, completeness, and actuality is limited to gross negligence. Created: 06/12

Contact layout

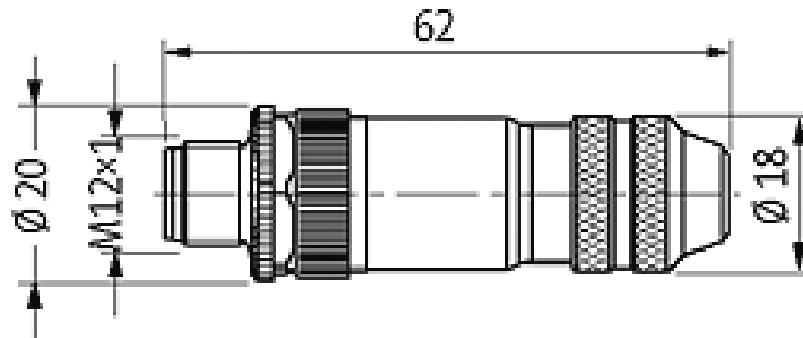
# Male



Circuit diagram



Dimension drawing



Representante oficial de:



[Argentina – Uruguay – Paraguay – Bolivia – Colombia – y Perú.]



Calle 49 N° 5764 - Villa Ballester (B1653AOX) - Prov. de Buenos Aires - ARGENTINA  
Tel: (+54 11) 4768-4242 / Fax: (+54 11) 4849-1212  
Mail: [ventas@nakase.com.ar](mailto:ventas@nakase.com.ar) / Web: [www.nakase.com.ar](http://www.nakase.com.ar)

