

MIRO 6,2 pluggable compl. module Triac IN: 30 VDC - OUT: 250 VAC / 0,5A

Triac 0.5 A
24 V DC
Spring clamp terminals

Image

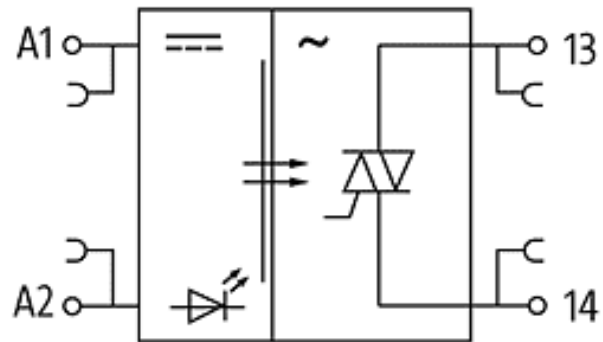
Vicarious picture

Input		
Voltage range ON	11...30 V DC	
Voltage range OFF	0...5 V DC	
Control current	approx. 18 mA	
LED display	LED (yellow)	
Output		
Switching current	10 mA...0.5 A	
Switching voltage	12...250 V AC	
Leakage current (when output is open)	<= 1 mA	
Switching time ON/OFF	10/10 ms	
Switching frequency	max. 20/1 Hz (resist./ind.)	
General data		
Test isolation voltage	2.5 kV	
Temperature range	-20...+60 °C	
Housing	Plastic black, flame retardant	
Mounting method	DIN-rail mountable (EN 60715)	
Dimensions H x W x D	78 x 6.2 x 65 mm	
Commercial data		
Net weight	26	
Net weight	26	
Weight unit	gram	
Basic unit	pc.	
Customs tariff number	85414090	
Unit (piece)	1	
Limited value	1	
Accessories		
Cradle plug link "MIRO; blue; 250V/36A	"	3000-90000-0300010
Cradle plug link "MIRO; black; 250V/36A	"	3000-90000-0300020
Isolated plate "MIRO; grey;"		3000-90000-0300030
MIRO 6,2 pluggable plug in module Triac IN: 30 VDC - OUT: 250 VAC / 0,5A		3000-69011-2100060

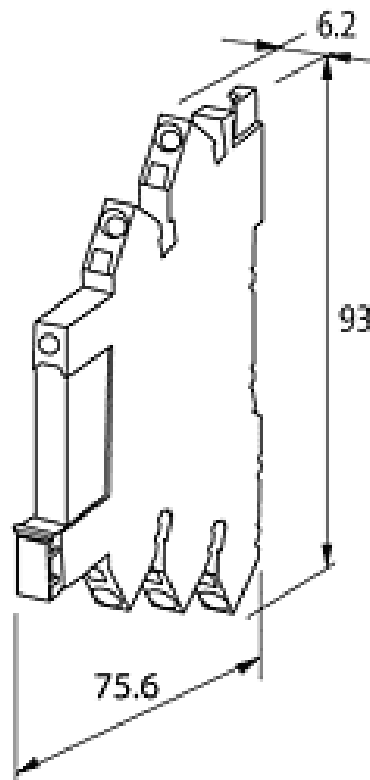
All data on this data sheet was compiled carefully.

Liability regarding correctness, completeness, and actuality is limited to gross negligence. Created: 06/12

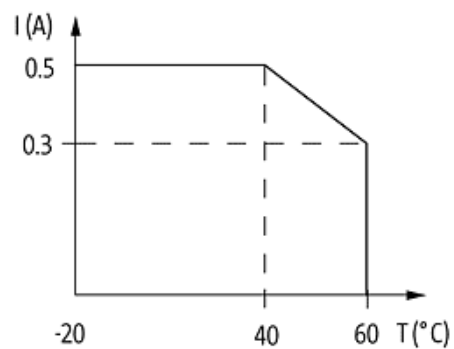
Circuit diagram



Dimension drawing



De-rating curve



Representante oficial de:



[Argentina – Uruguay – Paraguay – Bolivia – Colombia – y Perú.]



Calle 49 N° 5764 - Villa Ballester (B1653AOX) - Prov. de Buenos Aires - ARGENTINA
Tel: (+54 11) 4768-4242 / Fax: (+54 11) 4849-1212
Mail: ventas@nakase.com.ar / Web: www.nakase.com.ar

