

MIRO SAFET

2 N/O contacts/2 N/O contacts with switch off delay/1 N/C contact

6 A

Spring clamp plug-in terminals

Image

Vicarious picture

Switching capacity according to (EN 60947)

24 V	AC12;6 A	AC15; 3 A	DC13; 2 A
110 V	AC12;6 A	AC15; -	DC13; 0,3 A
230 V	AC12;6 A	AC15; 3 A	DC13; 0,15 A

Technical Data

Achievable safety category	to 4/PL e (EN ISO 13849-1)/(SIL3 (EN 61508)
Contact material	Ag Cu Ni

Input

Input voltage	24 V AC/DC -20/+25 % approx. 200 mA
---------------	--

Output

Switching voltage	max. 250 V AC
Switching current	max. 6 A
Breaking capacity (voltage dependent)	max. 1500 VA (resist.)

General data

Mech./ elect. life	2 × 10 ⁶ /load dependent
Temperature range	-25...+55 °C
Mounting method	DIN-rail mountable (EN 60715)
Dimensions H × W × D	110.5 × 35 × 114.5 mm

Commercial data

Net weight	100
Net weight	100
Weight unit	gram
Basic unit	pc.
Customs tariff number	85364900
Unit (piece)	1
Limited value	1

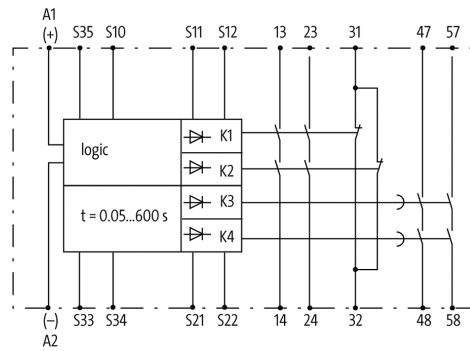
Accessories

	Art.-No.
MIRO SAFE double spring clamp pluggable accessories	3000-33010-0000000
MIRO SAFE Label plate (Set 5St) accessories	3000-33030-0000000

All data on this data sheet was compiled carefully.

Liability regarding correctness, completeness, and actuality is limited to gross negligence. Created: 06/12

Circuit diagram



Dimension drawing

