

MIRO SAFE E

Extension module
4 N/O contacts/1 return circuit
Spring clamp plug-in terminals

Image

Vicarious picture

Switching capacity according to (EN 60947)

24 V	AC12;6 A	AC15; 5,5 A	DC13; 2,5 A
110 V	AC12;6 A	AC15; 3,5 A	DC13; 0,4 A
230 V	AC12;6 A	AC15; 3 A	DC13; 0,2 A

Technical Data

Achievable safety category	to 4/PL e (EN ISO 13849-1)/(SIL3 (EN 61508)
Contact material	Ag Sn O2

Input

Input voltage	24 V AC/DC -15/+10 % approx. 200 mA
---------------	----------------------------------------

Output

Switching voltage	max. 250 V AC
Switching current	max. 6 A
Breaking capacity (voltage dependent)	max. 2000 VA (resist.)

General data

Mech./ elect. life	2×10^7 /load dependent
--------------------	---------------------------------

Commercial data

Net weight	100
Net weight	100
Weight unit	gram
Basic unit	pc.
Customs tariff number	85364900
Unit (piece)	1
Limited value	1

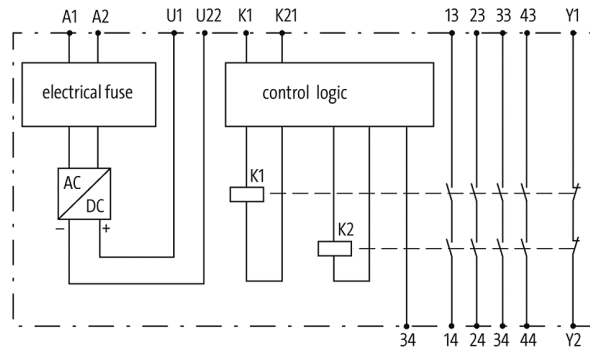
Accessories

	Art.-No.
MIRO SAFE double spring clamp pluggable accessories	3000-33010-0000000
MIRO SAFE Label plate (Set 5St) accessories	3000-33030-0000000

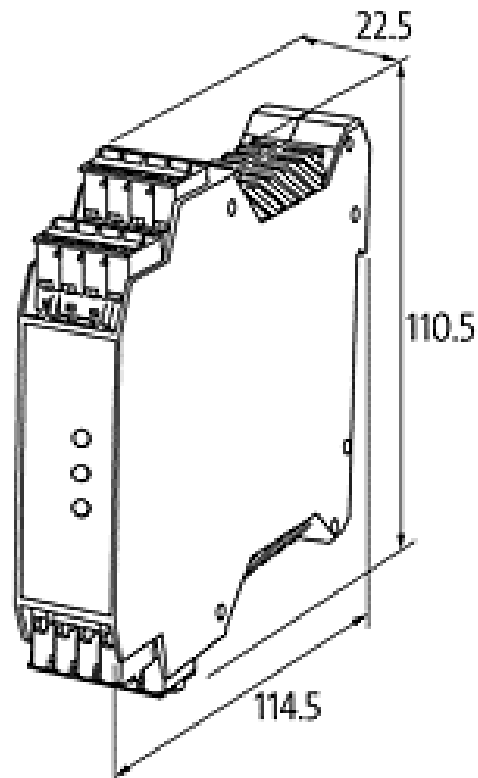
All data on this data sheet was compiled carefully.

Liability regarding correctness, completeness, and actuality is limited to gross negligence. Created: 06/12

Circuit diagram



Dimension drawing



Representante oficial de:



[Argentina – Uruguay – Paraguay – Bolivia – Colombia – y Perú.]



Calle 49 N° 5764 - Villa Ballester (B1653AOX) - Prov. de Buenos Aires - ARGENTINA
Tel: (+54 11) 4768-4242 / Fax: (+54 11) 4849-1212
Mail: ventas@nakase.com.ar / Web: www.nakase.com.ar

