

MIRO SAFE EQ

Extension module with cross circuit monitoring
4 N/O contacts/1 return circuit
Spring clamp plug-in terminals

Image

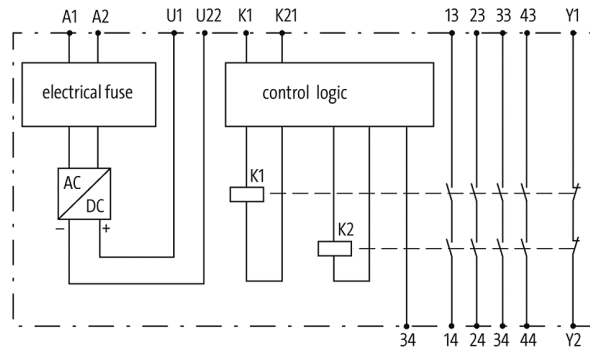
Vicarious picture

Technical Data		
Achievable safety category	to 4/PL e (EN ISO 13849-1)/(SIL3 (EN 61508)	
Contact material	Ag Sn O2 hv	
Input		
Input voltage	24 V AC/DC -15/+10 % approx. 200 mA	
Output		
Switching voltage	max. 250 V AC	
Switching current	max. 6 A	
Breaking capacity (voltage dependent)	max. 2000 VA (resist.)	
General data		
Mech./ elect. life	2 × 10 ⁷ /load dependent	
Temperature range	-25...+55 °C	
Mounting method	DIN-rail mountable (EN 60715)	
Dimensions H × W × D	110.5 x 22.5 x 114.5 mm	
Commercial data		
Net weight	100	
Net weight	100	
Weight unit	gram	
Basic unit	pc.	
Customs tariff number	85364900	
Unit (piece)	1	
Limited value	1	
Accessories		
	MIRO SAFE double spring clamp pluggable accessories	Art.-No. 3000-33010-0000000
	MIRO SAFE Label plate (Set 5St) accessories	3000-33030-0000000

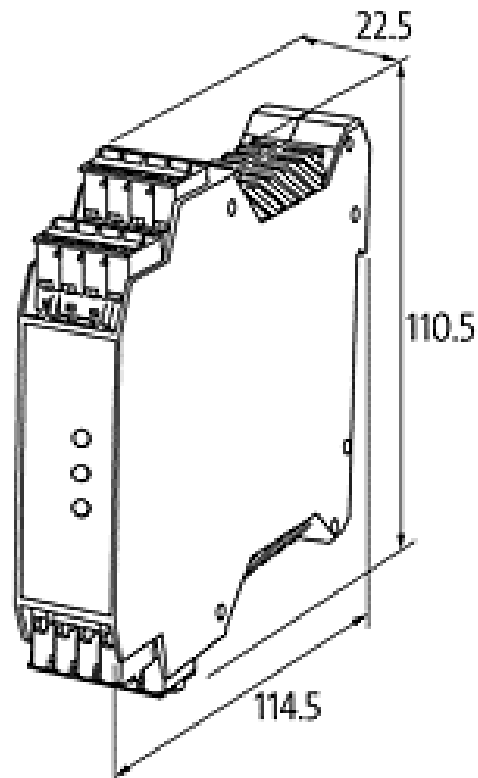
All data on this data sheet was compiled carefully.

Liability regarding correctness, completeness, and actuality is limited to gross negligence. Created: 06/12

Circuit diagram



Dimension drawing



Representante oficial de:



[Argentina – Uruguay – Paraguay – Bolivia – Colombia – y Perú.]



Calle 49 N° 5764 - Villa Ballester (B1653AOX) - Prov. de Buenos Aires - ARGENTINA
Tel: (+54 11) 4768-4242 / Fax: (+54 11) 4849-1212
Mail: ventas@nakase.com.ar / Web: www.nakase.com.ar

