

IR Relay socket modules IN: 250 V / 250 VAC/DC / 10 A

for industrial relays
4 C/O contacts
0...230 V AC/DC, without components

Image

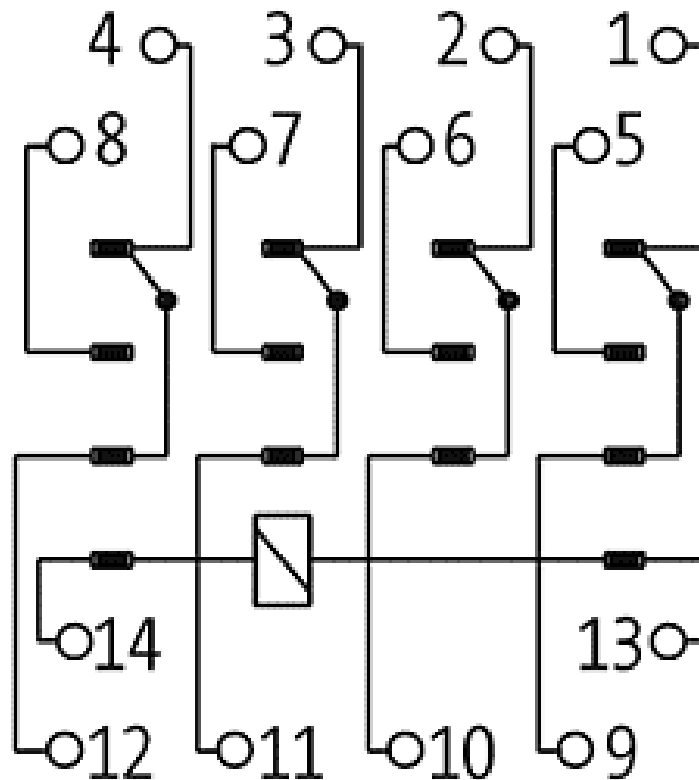
Vicarious picture

Technical Data	
Switching voltage	max. 250 V AC/110 V DC
Switching current	max. 5 A
Connection	Screw terminals
General data	
Mounting method	DIN-rail mountable (EN 60715)
Protection	IP40
Commercial data	
Net weight	75
Net weight	75
Weight unit	gram
Basic unit	pc.
Customs tariff number	85366990
Unit (piece)	1
Limited value	1
Accessories	
	Art.-No.
IR 24 Plug-in relay IN: 24 VDC - OUT: 250 VAC/DC / 7 A	61402
IRA 220 Plug-in relay N: 230 VAC / 250 VAC/DC / 7 A	61401
IR holding clip 4 X U for 61300	61301
IR 4 label plate for 61300	61302
IR LED+VDR Suppression, 6-24V for 61300	61303
IR LED+VDR Suppression, 110-230V for 61300	61304

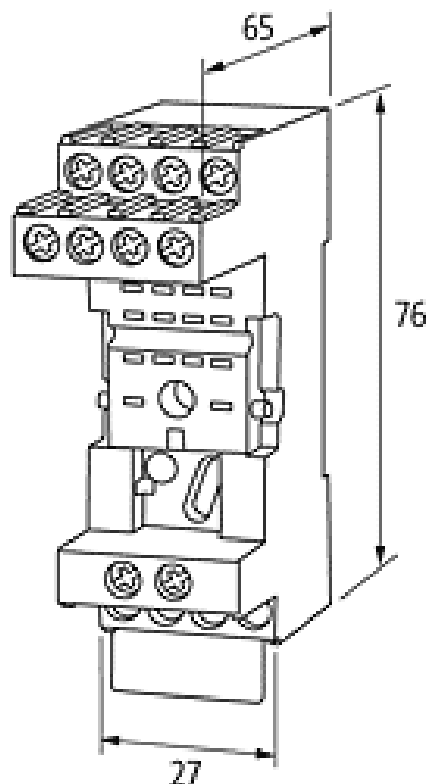
All data on this data sheet was compiled carefully.

Liability regarding correctness, completeness, and actuality is limited to gross negligence. Created: 06/12

Circuit diagram



Dimension drawing



Representante oficial de:



[Argentina – Uruguay – Paraguay – Bolivia – Colombia – y Perú.]



Calle 49 N° 5764 - Villa Ballester (B1653AOX) - Prov. de Buenos Aires - ARGENTINA
Tel: (+54 11) 4768-4242 / Fax: (+54 11) 4849-1212
Mail: ventas@nakase.com.ar / Web: www.nakase.com.ar

