

**Aktive Interfacemodul 2-WAY IN: 24 VDC - OUT: 250 VAC/DC / 6 A**

Compact design  
with plug relays  
2 plugged relays; each 1 C/O contact  
24 V DC  
Diode + LED

**Image**

Vicarious picture

**Switching capacity according to (EN 60947)**

24 V	AC12;6 A	AC15; 3 A	DC13; 1 A
110 V	AC12;6 A	AC15; 3 A	DC13; 0,2 A
230 V	AC12;6 A	AC15; 3 A	DC13; 0,1 A

**Technical Data**

Switching voltage	12...250 V AC/DC
Switching current	max. 6 A
Min. load current	10 mA

**General data**

Connection	Screw terminals max. 4 mm <sup>2</sup> with separate -A2 connections
Test isolation voltage	4 kV (input/output)
Mounting method	DIN-rail mountable (EN 60715)
Dimensions H × W × D	86 x 22.5 x 75 mm

**Commercial data**

Net weight	58
Net weight	58
Weight unit	gram
Basic unit	pc.
Customs tariff number	85437090
Unit (piece)	1
Limited value	1

**Accessories**

Plug-in relay 24VDC /1W IN: 24 VDC - OUT: 250 V / 6 A

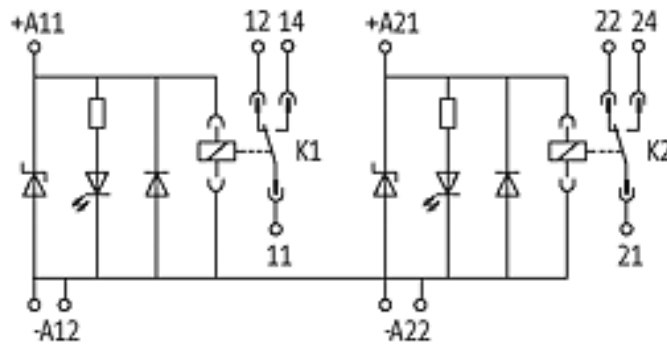
**Art.-No.**

61513

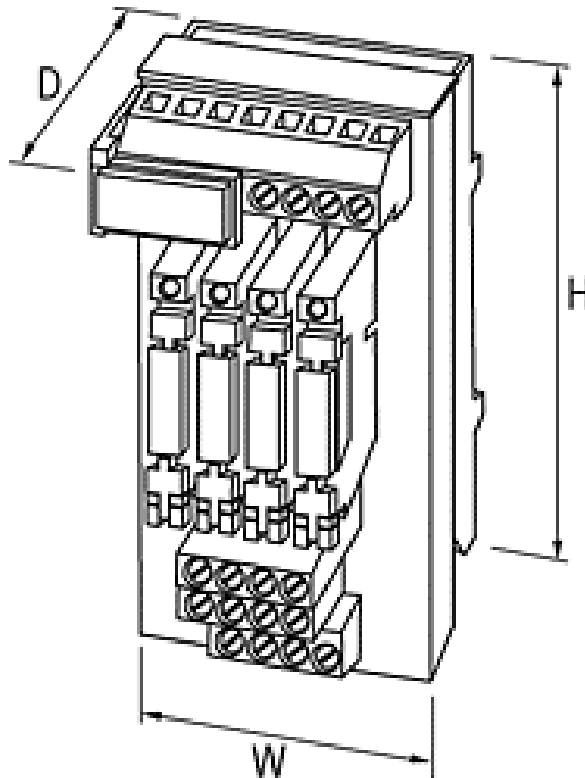
All data on this data sheet was compiled carefully.

Liability regarding correctness, completeness, and actuality is limited to gross negligence. Created: 06/12

## Circuit diagram



## Dimension drawing



Representante oficial de:



[Argentina – Uruguay – Paraguay – Bolivia – Colombia – y Perú.]



Calle 49 N° 5764 - Villa Ballester (B1653AOX) - Prov. de Buenos Aires - ARGENTINA  
Tel: (+54 11) 4768-4242 / Fax: (+54 11) 4849-1212  
Mail: [ventas@nakase.com.ar](mailto:ventas@nakase.com.ar) / Web: [www.nakase.com.ar](http://www.nakase.com.ar)

