

MIRO 6,2 pluggable receptacle 60V IN: 60 VAC/DC - OUT: 250 VAC/DC / 6 A

60 V AC/DC

Image



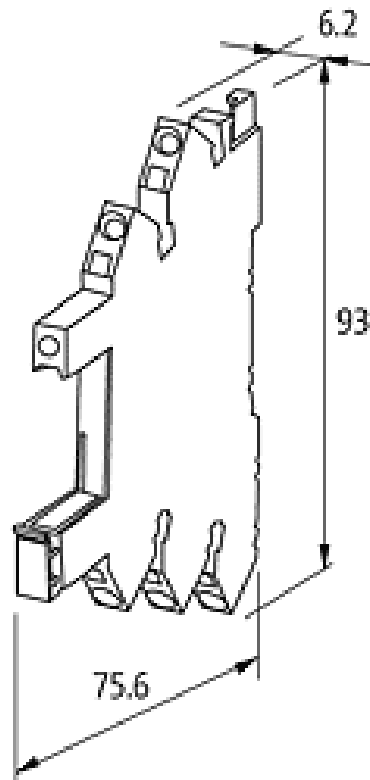
Vicarious picture

Technical Data	
Switching voltage	max. 250 V AC/DC
Switching current	max. 6 A
Connection	Spring clamp terminals
Connection diameter	max. 1 × 2.5 mm ² (AWG 14)
General data	
Temperature range	-5...+70 °C
Mounting method	DIN-rail mountable (EN 60715)
Dimensions H × W × D	93 x 6.2 x 75.6 mm
Commercial data	
Net weight	27
Net weight	27
Weight unit	gram
Basic unit	pc.
Customs tariff number	85366990
Unit (piece)	1
Limited value	1
Accessories	
	Art.-No.
Cradle plug link "MIRO; blue; 250V/36A	3000-90000-0300010
Cradle plug link "MIRO; black; 250V/36A	3000-90000-0300020

All data on this data sheet was compiled carefully.

Liability regarding correctness, completeness, and actuality is limited to gross negligence. Created: 06/12

Dimension drawing



Representante oficial de:



[Argentina – Uruguay – Paraguay – Bolivia – Colombia – y Perú.]



Calle 49 N° 5764 - Villa Ballester (B1653AOX) - Prov. de Buenos Aires - ARGENTINA
Tel: (+54 11) 4768-4242 / Fax: (+54 11) 4849-1212
Mail: ventas@nakase.com.ar / Web: www.nakase.com.ar

