

**MIRO TR 24VDC 20KHZ IN<1MA FK Opto-coupler module IN: 30 VDC - OUT: 48 VDC / 0,5 A**

Transistor 0.5 A  
24 V DC  
Control current 0.1 mA  
Spring clamp terminals

### Image



Vicarious picture

### Approvals



#### Input

Operating voltage	15...30 V DC
Voltage range ON	4.2...30 V DC
Voltage range OFF	0...2 V DC
Control current	0.1 mA at 5 V
LED display	LED (yellow)

#### Output

Switching voltage	5...48 V DC
Switching current	0.1 mA...0.5 A
Saturation voltage (across output)	<= 1.2 V DC
Leakage current (when output is open)	<= 0.1 mA
Switching time ON/OFF	12/12 $\mu$ s
Switching frequency	max. 20 kHz

#### General data

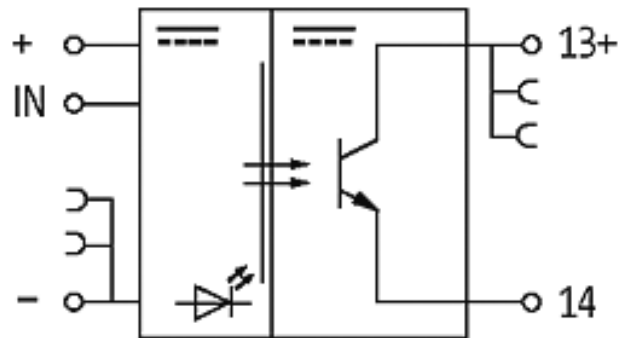
Test isolation voltage	3.75 kV
Temperature range	-20...+60 °C
Housing	Plastic black, flame retardant
Mounting method	DIN-rail mountable (EN 60715)
Dimensions H x W x D	90 x 6.2 x 65 mm

All data on this data sheet was compiled carefully.

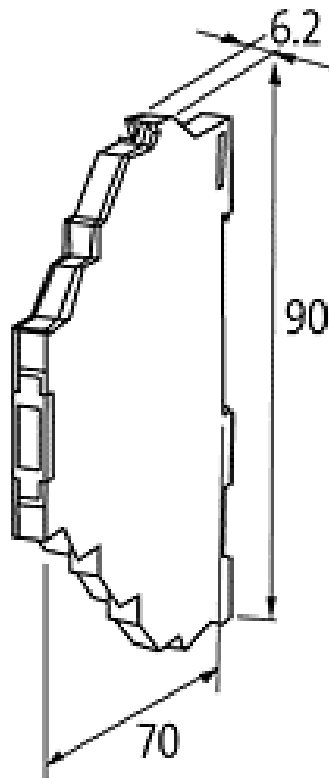
Liability regarding correctness, completeness, and actuality is limited to gross negligence. Created: 06/12

Commercial data	
Net weight	22
Net weight	22
Weight unit	gram
Basic unit	pc.
Customs tariff number	85414090
Unit (piece)	1
Limited value	1
Accessories	Art.-No.
Wiring accessorie plug link	90961
Wiring accessorie red spacing 6,2 mm	90976
Wiring accessorie blue spacing 6,2 mm	90975
Wiring accessorie end cap red	90982
Wiring accessorie end cap blue	90980
Wiring accessorie 16 pole cross-section: 1 mm <sup>2</sup>	90977
Control systems Label plate Miro	90901

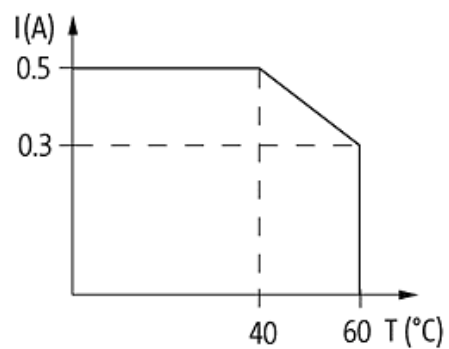
## Circuit diagram



## Dimension drawing



## De-rating curve



Representante oficial de:



[Argentina – Uruguay – Paraguay – Bolivia – Colombia – y Perú.]



Calle 49 N° 5764 - Villa Ballester (B1653AOX) - Prov. de Buenos Aires - ARGENTINA  
Tel: (+54 11) 4768-4242 / Fax: (+54 11) 4849-1212  
Mail: [ventas@nakase.com.ar](mailto:ventas@nakase.com.ar) / Web: [www.nakase.com.ar](http://www.nakase.com.ar)

