

AMMS 10-14/1 Opto-coupler module IN: 5,5 VDC - OUT: 53 VDC / 1,2 A

Transistor 1.2 A
3.5...5.5 V DC

Image

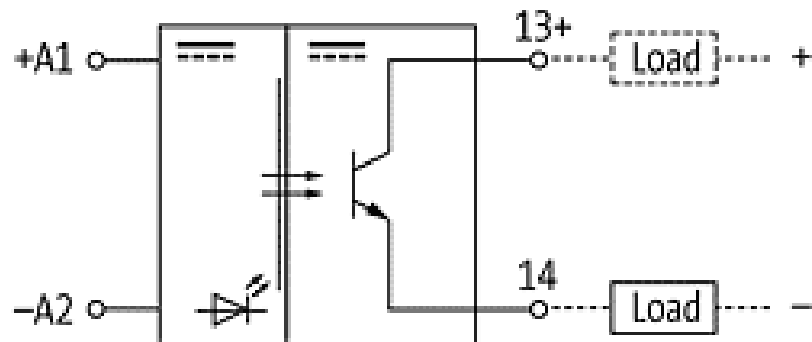
Vicarious picture

Input	
LED display	LED (red)
Operating current	6 mA
Voltage range ON	3.5...5.5 V DC
Voltage range OFF	0...0.8 V DC
Output	
Leakage current (when output is open)	<= 0.3 mA
Switching current	1 mA...1.2 A
Switching voltage	4.5...53 V DC
Saturation voltage (across output)	<= 1.2 V DC
Switching time ON/OFF	100/700 µs
Switching frequency	max. 500 Hz (resist.) at max. 0.2 A/max. 30 Hz (ind.)
General data	
Temperature range	-20...+60 °C
Housing	Plastic black, flame retardant
Mounting method	DIN-rail mountable TH35 or G32 (EN 60715)
Dimensions H x W x D	56 x 12 x 64 mm
Test isolation voltage	3.75 kV
Commercial data	
Net weight	27
Net weight	27
Weight unit	gram
Basic unit	pc.
Customs tariff number	85414090
Unit (piece)	1
Limited value	1

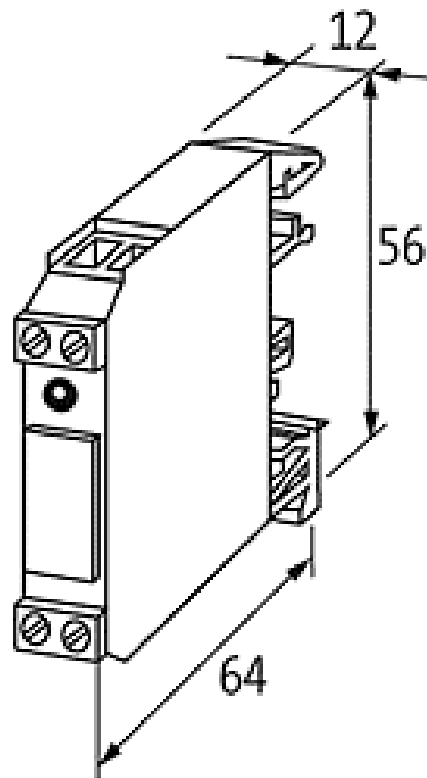
All data on this data sheet was compiled carefully.

Liability regarding correctness, completeness, and actuality is limited to gross negligence. Created: 06/12

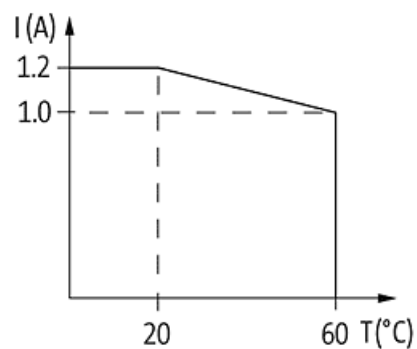
Circuit diagram



Dimension drawing



De-rating curve



Representante oficial de:



[Argentina – Uruguay – Paraguay – Bolivia – Colombia – y Perú.]



Calle 49 N° 5764 - Villa Ballester (B1653AOX) - Prov. de Buenos Aires - ARGENTINA
Tel: (+54 11) 4768-4242 / Fax: (+54 11) 4849-1212
Mail: ventas@nakase.com.ar / Web: www.nakase.com.ar

