

Modlink MSDD Front panel interface Frame module double IP65

Frame: metal, matte nickel plated

Lid: metal, matte nickel plated

Image

Vicarious picture

General data

Shielded	yes
Protection	IP65
Temperature range	-10...+60 °C (storage temperature -25...+60 °C)
Housing	zinc die-casting, with surface finishing
suitable for mounting with wall thickness	1...5 mm
outer dimensions H × W × D	120 × 131 × 32...62 mm (element dependent)

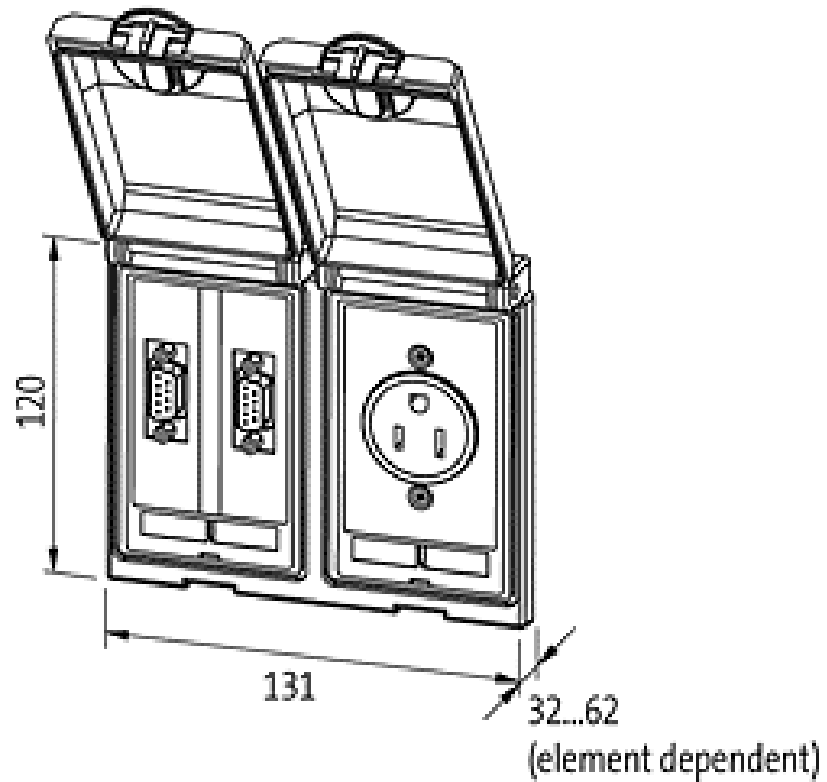
Commercial data

Net weight	600
Net weight	574
Weight unit	gram
Basic unit	pc.
Customs tariff number	85389099
Unit (piece)	1
Limited value	1

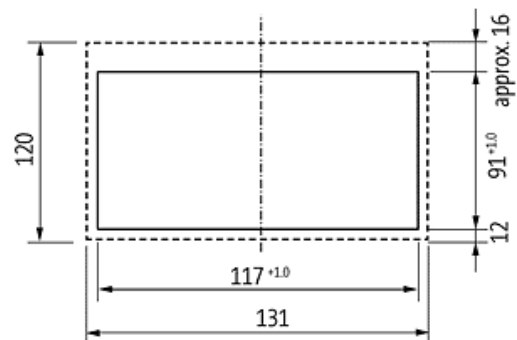
All data on this data sheet was compiled carefully.

Liability regarding correctness, completeness, and actuality is limited to gross negligence. Created: 06/12

Dimension drawing



Control cabinet cut-out



Representante oficial de:



[Argentina – Uruguay – Paraguay – Bolivia – Colombia – y Perú.]



Calle 49 N° 5764 - Villa Ballester (B1653AOX) - Prov. de Buenos Aires - ARGENTINA
Tel: (+54 11) 4768-4242 / Fax: (+54 11) 4849-1212
Mail: ventas@nakase.com.ar / Web: www.nakase.com.ar

