

Hybrid field-bus couplers MHA-BBE-E

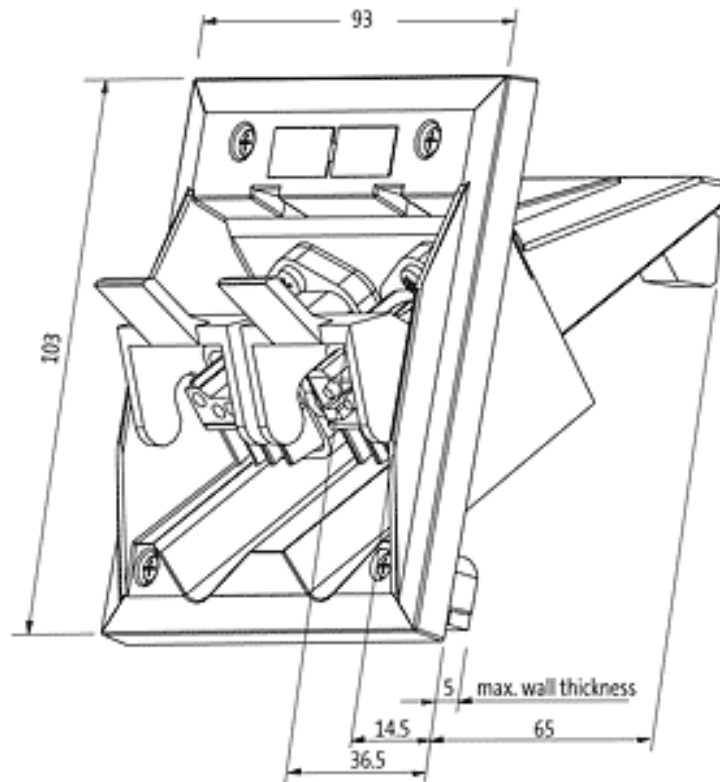
CU, CU (female/female); RS485 (SUB-D9)

Image

Vicarious picture

Technical Data	
Operating voltage	24 V DC
Shielded	no
Transfer rate	to 12 Mbit/s
Field Bus Coupling (IP67)	Han-Brid®
Connection	Spring clamp terminals, 0.25 mm ² single core, 2.5 mm ² stranded
General data	
Housing	Plastic black, flame retardant
Temperature range	-25...+50 °C
Cut-out	H × W: 90 × 80 mm
Dimensions H × W × D	103 × 93 × 65 mm
Commercial data	
Net weight	190
Net weight	190
Weight unit	gram
Basic unit	pc.
Customs tariff number	85176200
Unit (piece)	1
Limited value	1
Comments	
Han-Brid® a registered trademark of HARTING KGaA.	

Dimension drawing



Representante oficial de:



[Argentina – Uruguay – Paraguay – Bolivia – Colombia – y Perú.]



Calle 49 N° 5764 - Villa Ballester (B1653AOX) - Prov. de Buenos Aires - ARGENTINA
Tel: (+54 11) 4768-4242 / Fax: (+54 11) 4849-1212
Mail: ventas@nakase.com.ar / Web: www.nakase.com.ar

