

## Emparro67 4-100-240/24 7/8"

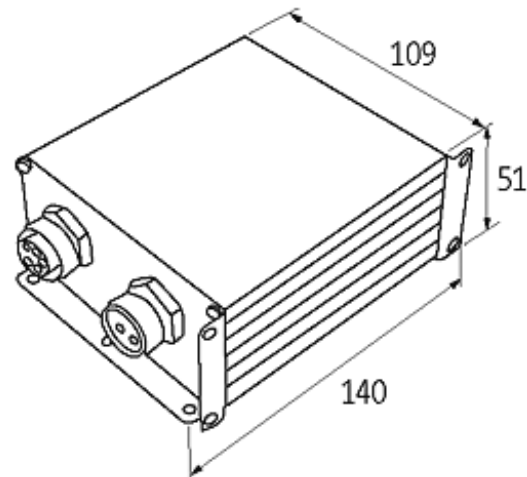
INPUT: 90...265 V AC/90...265 V DC

OUTPUT: 24 V DC (SELV),  $\pm 2\%$

Current: 4 A

### [Link to Product](#)

#### Illustration



Product may differ from Image

#### Input

Input voltage	90...265 V AC/90...265 V DC
Input current	1.1 A (100 V AC); 0.5 A (240 V AC)
Inrush current after 1 ms	max. 8.9 A (230 V AC)
Power factor	0.98 (230 V AC)
Primary fusing external	max. 10 A (T)

Frequency	50...60 Hz
-----------	------------

**General data**

Standards	(EN 60950-1), (EN 61204-3), (EN 55011 B), (EN 61000-3-2)
Relative humidity	4...100 %
Efficiency	91.7 % (100 V AC); 92.3 % (230 V AC)
Mounting method	screw fixing
Temperature range	-25...+60 °C, ...+70 °C derating (storage temperature -40...+80 °C)

**Output**

Output voltage	24 V DC (SELV), ±2 %
Power Boost	lout N × 150 % (min. 4 s)
Output current	4 A
Mains failure bridging time	min. 45 ms (230 V AC); 4 A (24 V DC)
Ripple	max. 20 mVrms
Spikes	max. 100 mV p-p
Unit protection	short-circuit and overload protected
LED display	LED (green): OK; LED (red): overload, overheating or short-circuit

**Commercial data**

country of origin	CH
customs tariff number	85044090
minimum order quantity	1

Representante oficial de:



[Argentina – Uruguay – Paraguay – Bolivia – Colombia – y Perú.]



Calle 49 N° 5764 - Villa Ballester (B1653AOX) - Prov. de Buenos Aires - ARGENTINA  
Tel: (+54 11) 4768-4242 / Fax: (+54 11) 4849-1212  
Mail: [ventas@nakase.com.ar](mailto:ventas@nakase.com.ar) / Web: [www.nakase.com.ar](http://www.nakase.com.ar)

