

MPS Power supply 1-phase, primary switched IN: 185-265VAC OUT: 22-28V /20ADC

INPUT: 185...265 V AC

OUTPUT: 22...28 V DC

Current: 20 A

Image

- Units decoupling through diode block at parallel usage.

- Single-phase, primary switched
- stable output voltage, short-circuit and overload protected
- touch protected (EN 60529) IP20

Vicarious picture

Approvals**Input**

Voltage range	185...265 V AC
Input current	4.0 A
Primary fusing	max. 16 A
Frequency	50/60 Hz

Output

Output voltage	24 V DC (SELV), $\pm 1\%$; 22...28 V adjustable
Output current	20 A (+60 °C); 24 A (+40 °C) 90 %
Mains failure bridging	≥ 10 ms (230 V AC)
Ripple	≤ 20 mV rms
Spikes	≤ 100 mV p-p
Protection	short-circuit and overload protected, pre-warning and switching-off when overheated or overloaded, signaling over alarm output
LED display	LED (green): in operation; LED (red): off; LED (yellow): pre-warning when overheated or overloaded
Parallel usage/serial usage	yes/yes
Alarm output	electronic relay max. 60 V DC/0.2 A, group alarm for all failures and pre-warnings, quit via the green reset button

General data

Standards	(EN 60950-1), (EN 61204-3), (EN 55022 B)
Temperature range	0...+60 °C (storage temperature -25...+85 °C)
Mounting method	DIN-rail mountable TH35 (EN 60715), additional plate for screw mounting Art.-No. 89500
Relative humidity	5...95 %, no condensation
Dimensions H x W x D	132 x 243 x 123 mm

All data on this data sheet was compiled carefully.

Liability regarding correctness, completeness, and actuality is limited to gross negligence. Created: 06/12

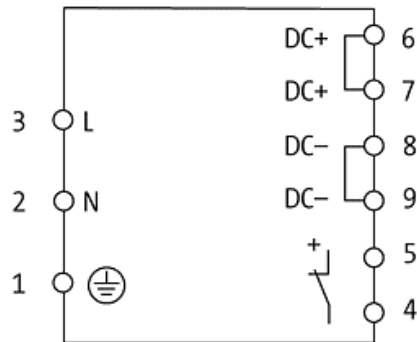
Commercial data

Net weight	2966
Net weight	2966
Weight unit	gram
Basic unit	pc.
Customs tariff number	85044090
Unit (piece)	1
Limited value	1

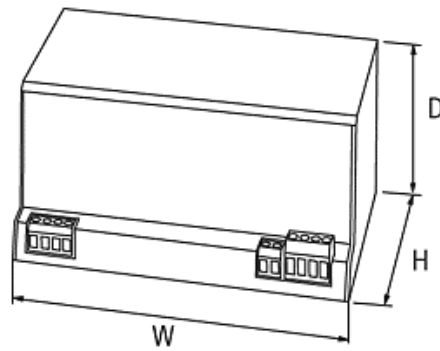
Comments

Units decoupling through diode block at parallel usage.

Circuit diagram



Dimension drawing



Representante oficial de:



[Argentina – Uruguay – Paraguay – Bolivia – Colombia – y Perú.]



Calle 49 N° 5764 - Villa Ballester (B1653AOX) - Prov. de Buenos Aires - ARGENTINA
Tel: (+54 11) 4768-4242 / Fax: (+54 11) 4849-1212
Mail: ventas@nakase.com.ar / Web: www.nakase.com.ar

