

MCS Power supply 3-phase, primary switched IN: 340-460VAC OUT: 24-28V/20ADC

INPUT: 3 × 340...460 V AC

OUTPUT: 24...28 V DC

Current: 20 A

Image

- 3-phase, primary switched
- stable output voltage, short-circuit and overload protected
- touch protected (EN 60529) IP20

Vicarious picture

Input

Voltage range	3 × 340...460 V AC
Input current	3 × 1.4 A
Inrush current after 1 ms	<= 25 A
Primary fusing	max. 3 × 6 A
Frequency	50/60 Hz

Output

Output voltage	24 V DC (SELV), ±1 %; 24...28 V adjustable
Output current	20 A (+60 °C); 20...24 A (+40 °C)
	90 %
Mains failure bridging	>= 10 ms (400 V AC)
Ripple	<= 20 mV rms
Spikes	<= 100 mV p-p
Protection	Short-circuit and overload protected
LED display	LED (green) for output voltage
Selectable switch-off mode	front sided plug link (automatic re-start or definite shut-off)
Parallel usage/serial usage	yes/yes

General data

Standards	(EN 60950-1), (EN 61204-3), (EN 55011 A)
Temperature range	0...+60 °C (storage temperature -25...+85 °C)
Mounting method	DIN-rail mountable TH35 (EN 60715)
Relative humidity	30...90 %, no condensation
Dimensions H × W × D	170 x 84 x 201 mm

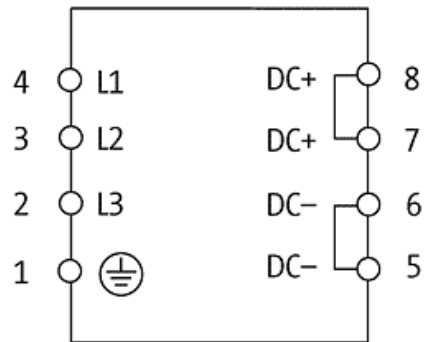
Commercial data

Net weight	2420
Net weight	2420
Weight unit	gram
Basic unit	pc.
Customs tariff number	85044090
Unit (piece)	1
Limited value	1

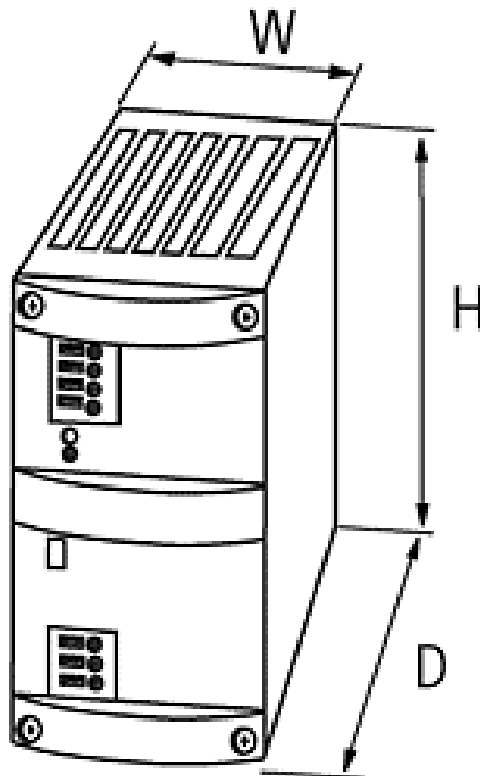
All data on this data sheet was compiled carefully.

Liability regarding correctness, completeness, and actuality is limited to gross negligence. Created: 06/12

Circuit diagram



Dimension drawing



Representante oficial de:



[Argentina – Uruguay – Paraguay – Bolivia – Colombia – y Perú.]



Calle 49 N° 5764 - Villa Ballester (B1653AOX) - Prov. de Buenos Aires - ARGENTINA
Tel: (+54 11) 4768-4242 / Fax: (+54 11) 4849-1212
Mail: ventas@nakase.com.ar / Web: www.nakase.com.ar

