

Evolution+ Power supply 3-phase, primary switched IN: 360-520VAC OUT: 22-28V/5ADC

OUTPUT: 22...28 V DC

INPUT: 360...520 V AC / 480...745 V DC

Current: 5 A

Image

- stable output voltage, short-circuit and overload protected
- Wide voltage input
- touch protected (EN 60529) IP20

Vicarious picture

Approvals**Input**

| | |
|---------------------------|-----------------------------------|
| Voltage range | 3 × 324...572 V AC/480...745 V DC |
| Input current | 3 × 0.3 A |
| Inrush current after 1 ms | <= 10 A |
| Primary fusing | max. 3 × 10 A |
| Frequency | 50/60 Hz |

Output

| | |
|-----------------------------|--|
| Output voltage | 24 V DC (SELV), ±1 %; 22...28 V adjustable |
| Output current | 5 A (+55 °C); 3 A (+70 °C) |
| Powerboost | +50 % (>= 4 sec.) 86 % |
| Mains failure bridging | >= 30 ms (400 V AC) |
| Ripple | <= 50 mV rms |
| Spikes | <= 100 mV p-p |
| Protection | Short-circuit and overload protected |
| LED display | LED (green): OK; LED (red): overload |
| Parallel usage/serial usage | yes/yes |
| Alarm output | electronic relay max. 30 V DC/0.1 A, group alarm |

General data

| | |
|----------------------|--|
| Standards | (EN 60950-1), (EN 61204-3), (EN 55022 B), (EN 61000-3-2) |
| Temperature range | -25...+70 °C (storage temperature -40...+85 °C) |
| Relative humidity | 5...95 %, no condensation |
| Protection | Circuit board with protective varnish |
| Mounting method | DIN-rail mountable TH35 (EN 60715) |
| Dimensions H × W × D | 132 x 83 x 98 mm |

Commercial data

| | |
|-----------------------|----------|
| Net weight | 1200 |
| Net weight | 1000 |
| Weight unit | gram |
| Basic unit | pc. |
| Customs tariff number | 85044090 |
| Unit (piece) | 1 |
| Limited value | 1 |

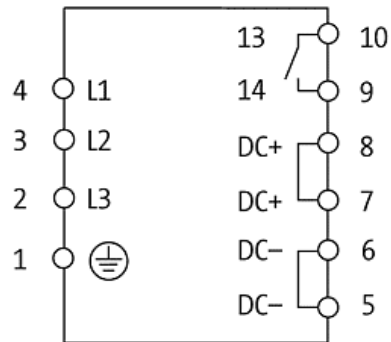
Comments

This switch mode power supplies meet the (EN 61000-3-2) standard for harmonic current.

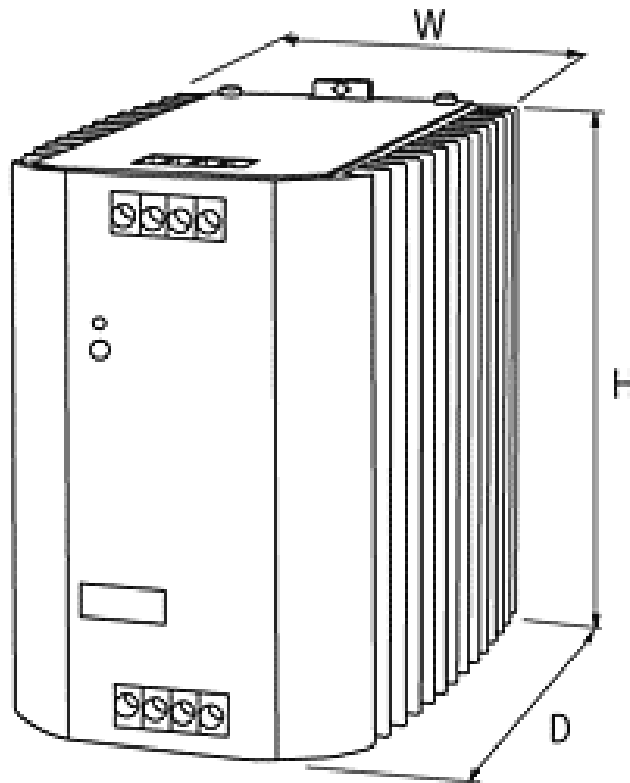
All data on this data sheet was compiled carefully.

Liability regarding correctness, completeness, and actuality is limited to gross negligence. Created: 06/12

Circuit diagram



Dimension drawing



Representante oficial de:



[Argentina – Uruguay – Paraguay – Bolivia – Colombia – y Perú.]



Calle 49 N° 5764 - Villa Ballester (B1653AOX) - Prov. de Buenos Aires - ARGENTINA
Tel: (+54 11) 4768-4242 / Fax: (+54 11) 4849-1212
Mail: ventas@nakase.com.ar / Web: www.nakase.com.ar

